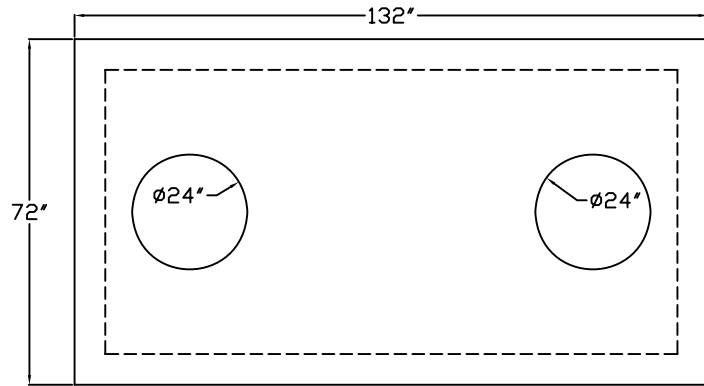
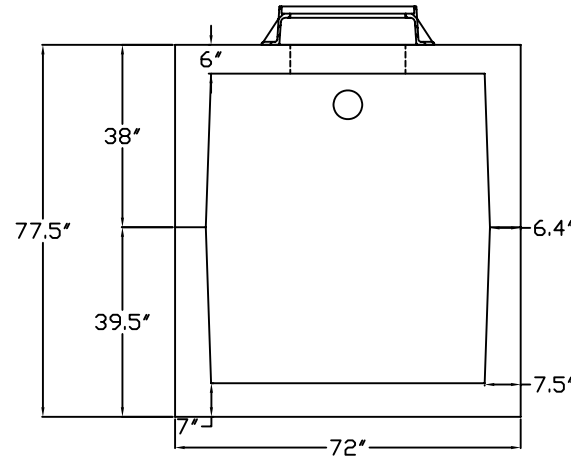


Top View

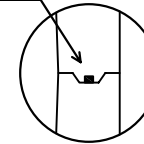


End View

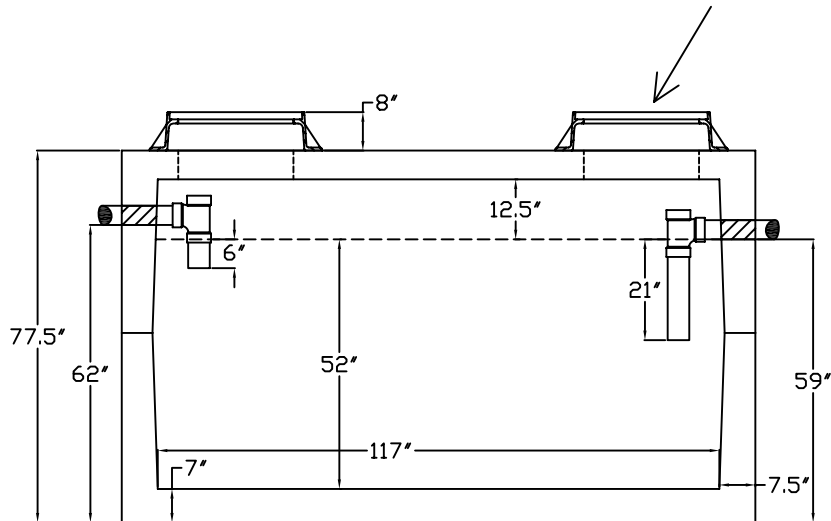


Butyl Sealant ASTM C990 Compliant

Baffle View



Side View



East Jordan 1047Z, 24" clear opening, H2O Manhole Frame and Cover. Lid is labeled "Grease". Please specify vented or nonvented lid.

**Specifications**

**Concrete:** 5,000 psi minimum strength (28 day)

**Structural Performance:** The tank meets the design criteria for H-20 bridge loadings and a maximum burial depth of 8'. Structural Engineering design available upon request.

**Reinforcing:** Primary reinforcement will be according to structural engineer's reinforcement schedule.

**Risers:** All risers, if required, will be watertight and rated for traffic.

**Sealant:** Sealant used in the seam of the tank will meet or exceed ASTM C990.

**Pipe Penetrations:** Inlet and outlets are fitted with seals that meet or exceed all ASTM C923 specifications manufactured by Polylok and Press-Seal Gasket Corporation.

**Effluent Filter:** All effluent filters, if required, will be a PolyLok PL-68 or other approved filter.

**Inlet / Outlet Baffle:** The inlet and outlet baffle is a 4" sch. 40 sanitary PVC tee. The tee's will extend approximately within 1" of the inside top of the tank.

**Partition Wall:** The partition wall, if present, is poured monolithically.

**Tank Label:** On the end of the tank, above and to the right of the outlet, the company logo and number of gallons will be cast into the tank.

Manufactured by:  
**C.R. Barger & Sons, Inc.**  
 238 Mays Valley Road  
 Harriman Tn 37748  
**Phone** 865.882.5860 **Fax** 865.882.6394  
 www.bargerandsons.com

General Notes:  
 All vertical measurements are accurate within ± 1 inch on the tank. The lids can be moved and resized if necessary. Written specifications and engineered drawings are available upon request. Tank is designed for a maximum cover of 8' and H-20 loadings.

Tank Type: <b>Septic H-20 1500 Gallon Single Compart.</b>	
Date: <b>4.212005</b>	Approx. Weight: <b>26,000 lbs.</b>
Drawn By: <b>Eric Barger</b>	State: <b>Arkansas</b>