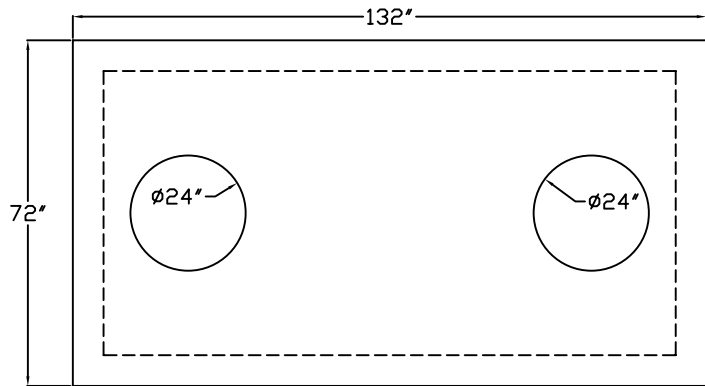
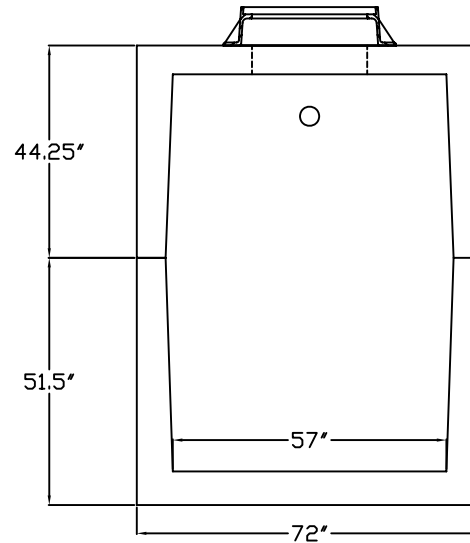


### Top View



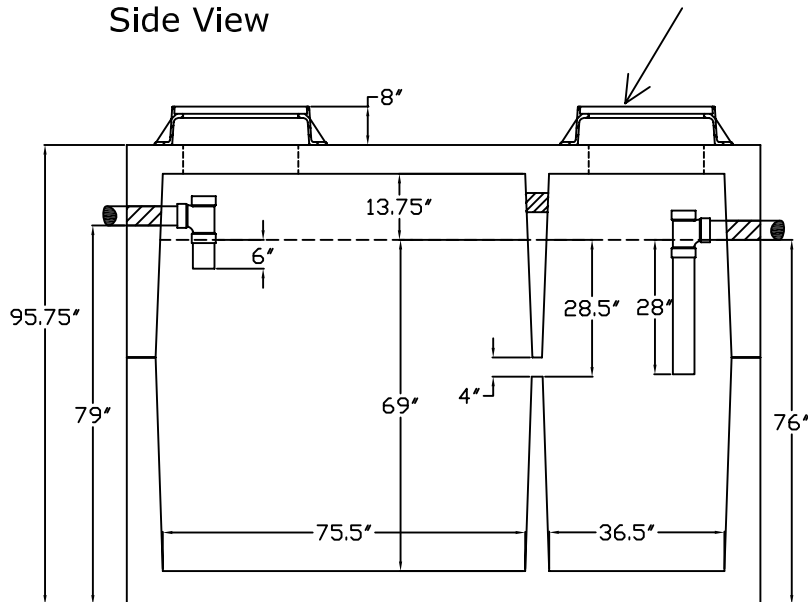
East Jordan 1047Z, 24" clear opening, H2O Manhole Frame and Cover. Lid is labeled "Grease". Please specify vented or nonvented lid.

### End View

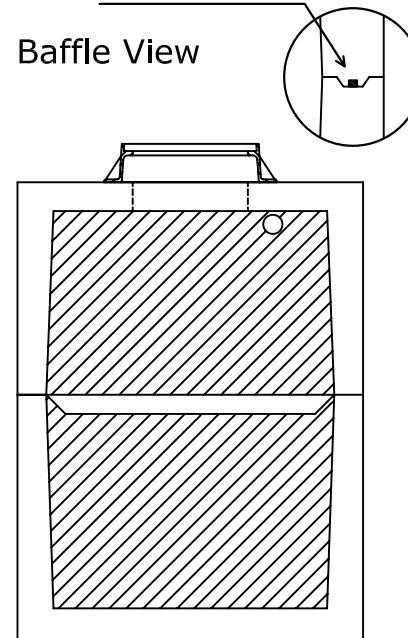


Butyl Sealant ASTM C990 Compliant

### Side View



### Baffle View



### Specifications

**Concrete:** 5,000 psi minimum strength (28 day)

**Structural Performance:** The tank meets the design criteria for H-20 bridge loadings and a maximum burial depth of 8'. Structural Engineering design available upon request.

**Reinforcing:** Primary reinforcement will be according to structural engineer's reinforcement schedule.

**Risers:** All risers, if required, will be watertight and rated for traffic.

**Sealant:** Sealant used in the seam of the tank will meet or exceed ASTM C990.

**Pipe Penetrations:** Inlet and outlets are fitted with seals that meet or exceed all ASTM C923 specifications manufactured by Polylok and Press-Seal Gasket Corporation.

**Effluent Filter:** All effluent filters, if required, will be a PolyLok PL-68 or other approved filter.

**Inlet / Outlet Baffle:** The inlet and outlet baffle is a 4" sch. 40 sanitary PVC tee. The tee's will extend approximately within 1" of the inside top of the tank.

**Partition Wall:** The partition wall, if present, is poured monolithically.

**Tank Label:** On the end of the tank, above and to the right of the outlet, the company logo and number of gallons will be cast into the tank.

Manufactured by:  
**C.R. Barger & Sons, Inc.**  
 238 Mays Valley Road  
 Harriman Tn 37748  
**Phone** 865.882.5860 **Fax** 865.882.6394  
 www.bargerandsons.com

**General Notes:**  
 All vertical measurements are accurate within ± 1 inch on the tank. The lids can be moved and resized if necessary. Written specifications and engineered drawings are available upon request. Tank is designed for a maximum cover of 8' and H-20 loadings.

Tank Type: <b>Septic H-20 2000 Gallon Two Compart.</b>	
Date: <b>4.212005</b>	Approx. Weight: <b>30,500 lbs.</b>
Drawn By: <b>Eric Barger</b>	State: <b>Arkansas</b>