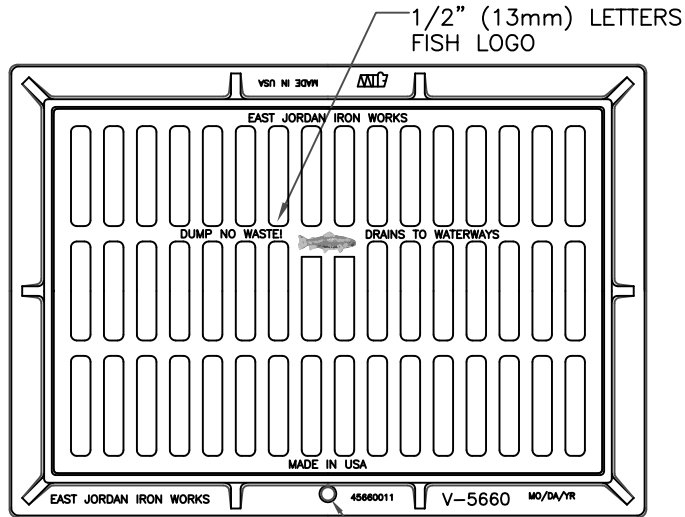


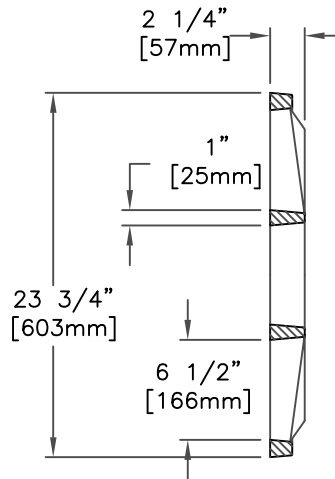
Shipping: 238 Mays Valley Road • Harriman TN 37748
Mailing: P.O. Box 370 • Kingston TN 37763

Phone: (865) 882-5860
Fax: (865) 882-6394
Website: www.BargerAndSons.com

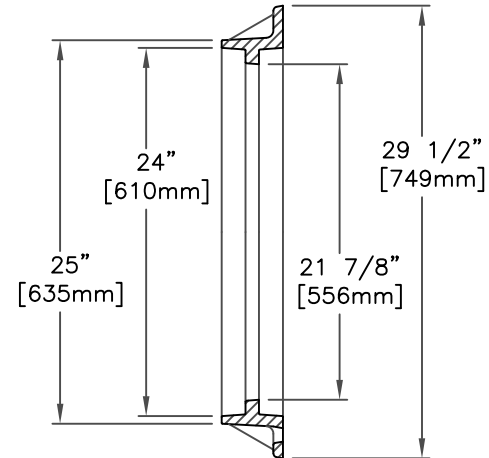
Protecting the environment one tank at a time since 1967.



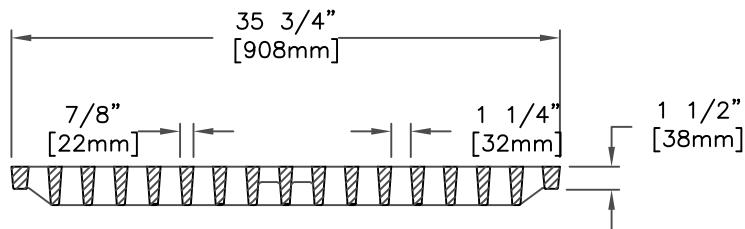
PLAN VIEW



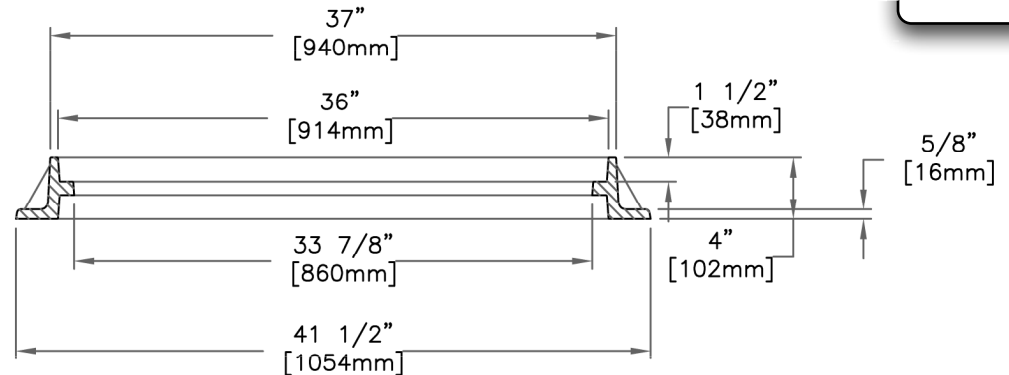
GRATE SECTION



FRAME SECTION



GRATE SECTION



FRAME SECTION

Frame & Grate	
Height	4"
Open Area	390 sq. in.
Estimated Weight	Grate: 159 lbs Frame: 190 lbs
Load Rating	Heavy Duty H-20 Traffic Rated
Coating	Dipped
Material	Grate: Gray Iron ASTM A48 CL35B Frame: Gray Iron ASTM A48 CL35B