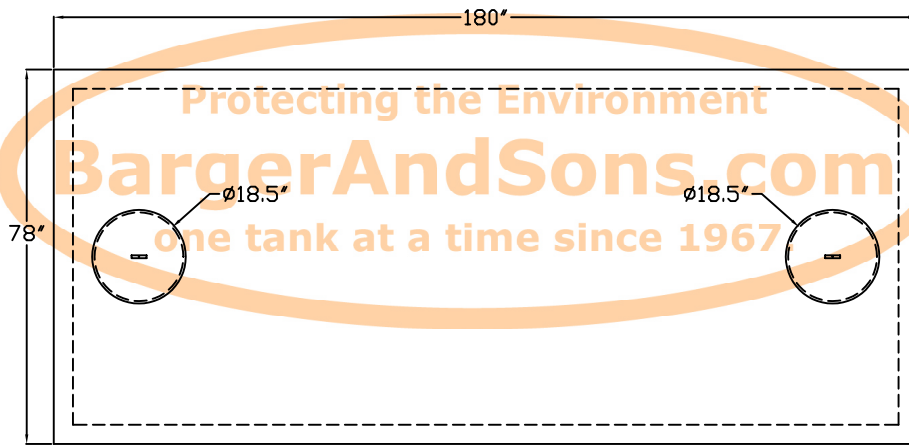
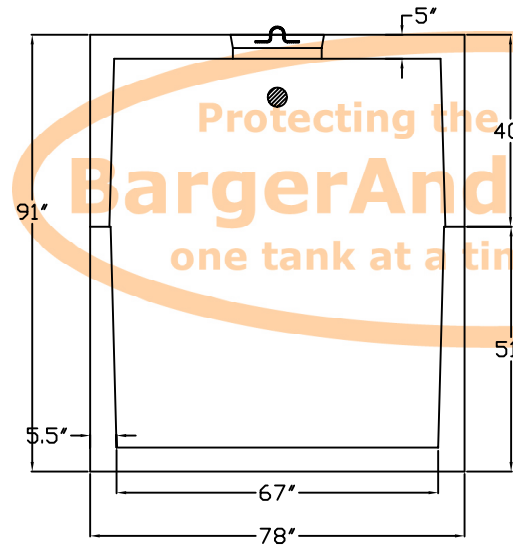


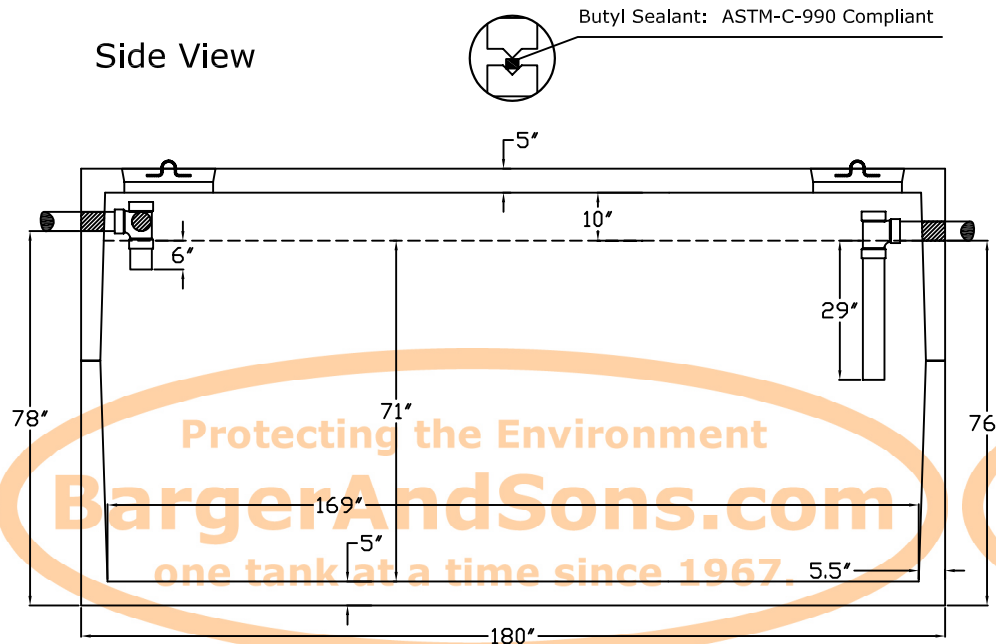
Top View



End View



Side View



Baffle View



Specifications

Concrete: 5,000 psi minimum strength (28 day)

Structural Performance: The tank meets or exceeds the performance criteria set forth in Part 905 of the Private Sewage Disposal Code, Section 905.40 Septic Tanks.

Reinforcing: Primary reinforcement will be a #3 rebar (Grade 60) rebar cage that will reinforce the top, side, baffle wall, and bottom. The rebar will be on 18" centers (width and length) in the walls, bottom, and top. All splices will be overlapped six inches. Structural reinforcing Forta fiber (3 lb/yd3) will also be used as secondary reinforcement.

Risers: All risers, if required, will be watertight and will support a 2500 lb. wheel load.

Sealant: Sealant used in the seam of the tank will meet or exceed ASTM C990.

Pipe Penetrations: Inlet and outlets are fitted with seals that meet or exceed all ASTM C923 specifications.

Inlet / Outlet Baffle: The inlet baffle is a 6" SDR 21/Sch. 40 sanitary PVC tee and will be within 12" of the inlet orifice. The outlet baffle is a 4" SDR 21/Sch. 40 sanitary PVC tee and will be within 6" of the outlet end wall. The outlet baffle will be fitted with a non-corrosive polypropylene gas deflection baffle. Both baffles will have between 1" and 3" clearance between the top of the baffle and bottom of the inside tank lid.

Partition Wall: The partition wall is poured monolithically.

Tank Label: On the end of the tank, above and to the right of the outlet, the tank label will have the tank approval number and "CRB 3500 Harriman TN".

Manufactured by:
C.R. Barger & Sons, Inc.
 238 Mays Valley Road
 Harriman Tn 37748
Phone 865.882.5860 **Fax** 865.882.6394
 www.bargerandsons.com

General Notes:
 All vertical measurements are accurate within ± 1 inch on the tank. The lids can be moved and resized if necessary. Written specifications are available upon request.

Tank Type:	Septic 3500 Gallon Single Compartment	
Date:	4.082005	Approx. Weight: 35,000 lbs.
Drawn By:	Eric Barger	State: Illinois