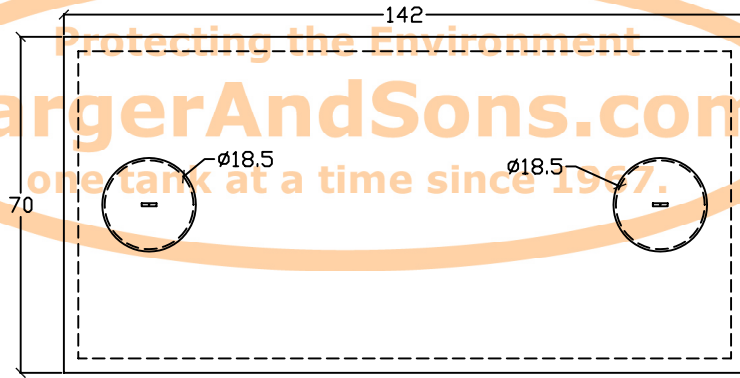
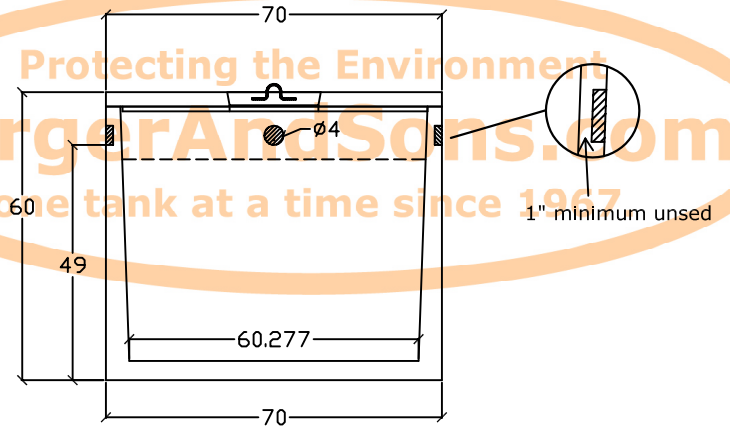


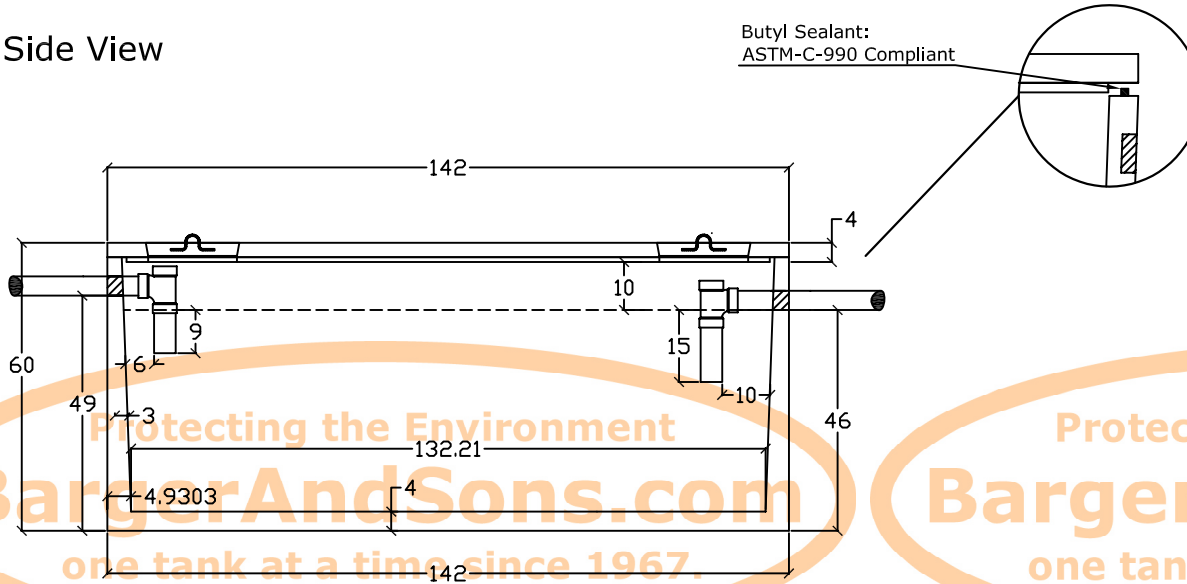
Top View



End View



Side View



Butyl Sealant:
ASTM-C-990 Compliant

Manufactured by:
C.R. Barger & Sons, Inc.
238 Mays Valley Road
Harriman Tn 37748
Phone 865.882.5860 Fax 865.882.6394

General Notes:
All vertical measurements are accurate within ± 1 inch on the tank. The lids can be moved and resized if necessary. Written specifications are available upon request.

Tank Type: Septic Tank 1500 Gallon	
Date: 8.182004	Approx. Weight: 15,000 lbs.
Drawn By: Eric Barger	State Compliance: Kentucky