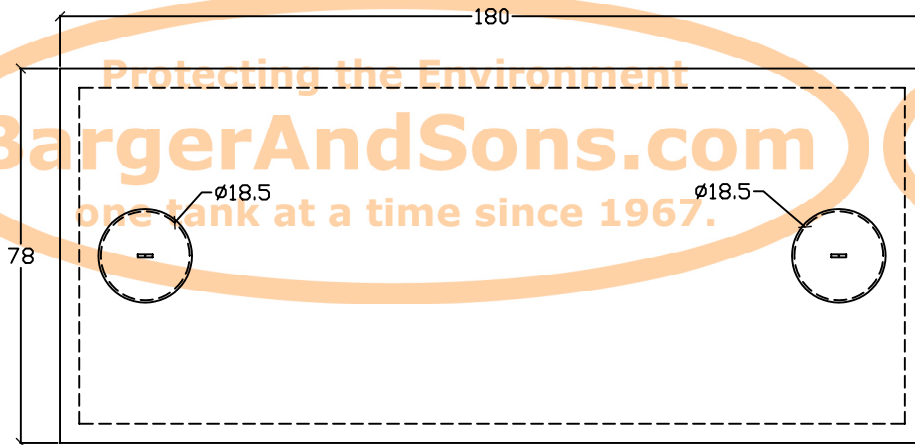
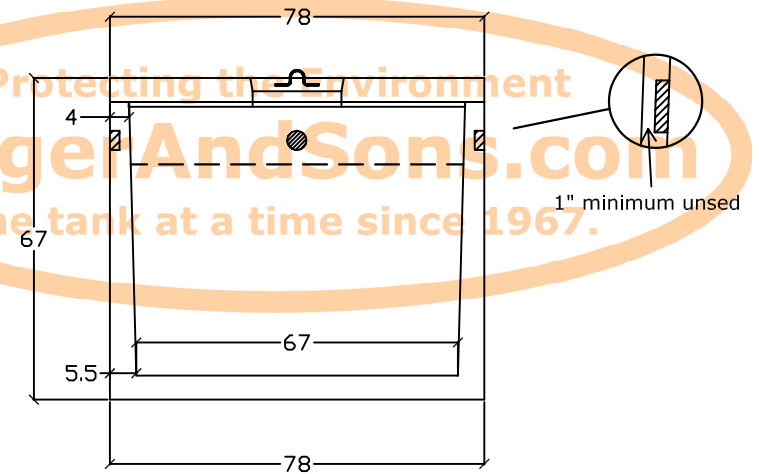


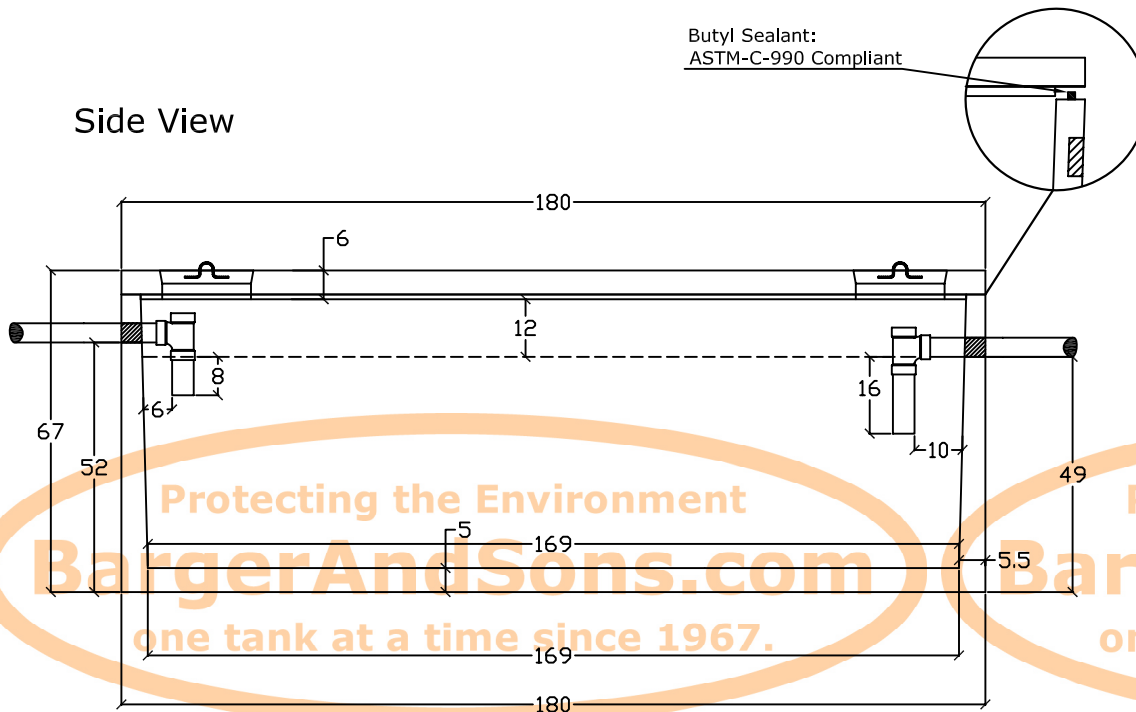
Top View



End View



Side View



Manufactured by:
C.R. Barger & Sons, Inc.
 238 Mays Valley Road
 Harriman Tn 37748
Phone 865.882.5860 **Fax** 865.882.6394
 www.bargerandsons.com

General Notes:
 All measurements are accurate within ± 1 inch on the tank. The lids can be moved and resized if necessary. Written specifications are available upon request.

Tank Type: Septic Tank 2100 Gallon Single Compart.	
Date: 8.182004	Approx. Weight: 27,000 lbs.
Drawn By: Eric Barger	State Compliance: Kentucky