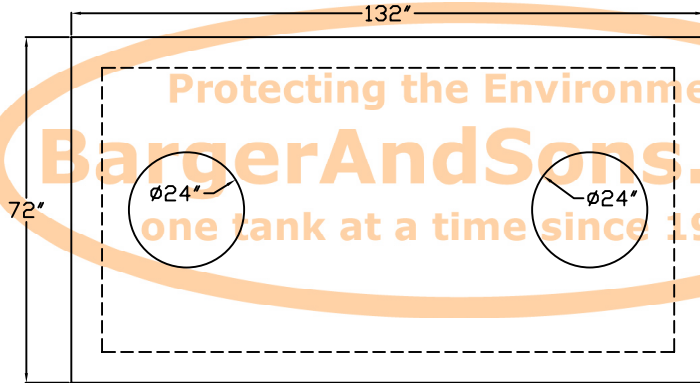
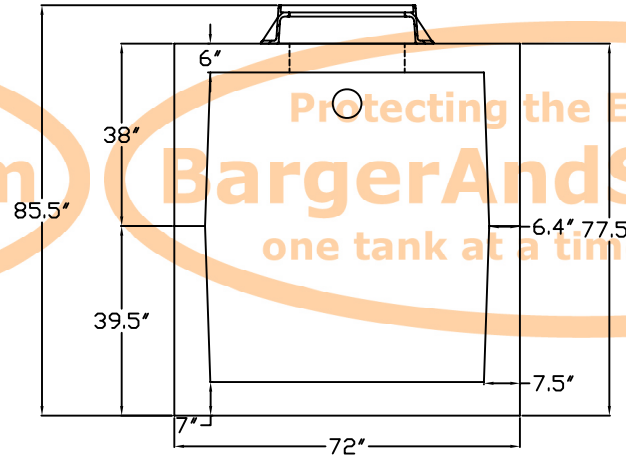


Top View



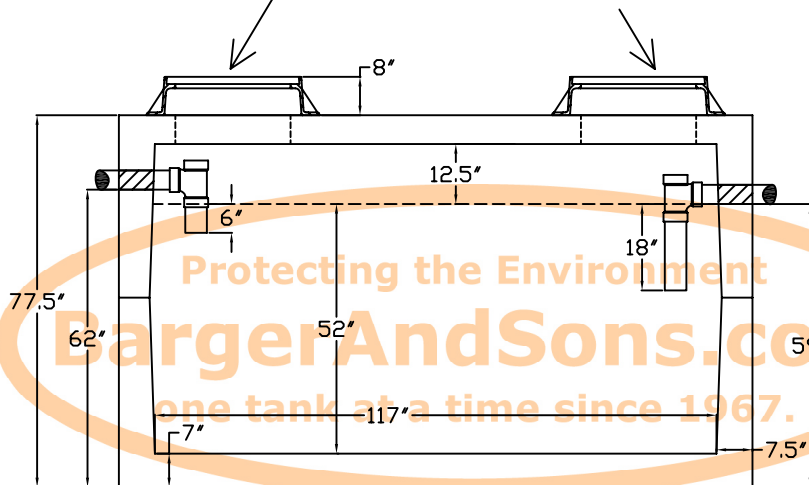
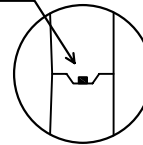
End View



Side View

East Jordan 1047Z, 24" clear opening, H2O Manhole Frame and Cover. Lid is labeled "Sanitary Sewer". Please specify vented or nonvented lid.

Controlled Expansion Hydrophilic Waterstop



**Specifications**

**Concrete:** 5,000 psi minimum strength (28 day)

**Structural Performance:** The tank supports H-20 bridge loadings with a maximum burial depth of 8' measured from the top of the tank to finished grade.

**Reinforcing:** Primary reinforcement will be #5 and #7 rebar (Grade 60) in compliance with the engineer reinforcement detail. All splices will be overlapped 40 bar diameters.

**Risers:** All risers will support H-20 traffic ratings.

**Sealant:** Sealant used in the seam of the tank will meet or exceed ASTM C990.

**Pipe Penetrations:** Inlet and outlets are fitted with seals that meet or exceed all ASTM C923 specifications.

**Baffle Wall:** The baffle wall, if present, is poured monolithically.

**Tank Label:** On the end of the tank, above and to the right of the outlet, the company logo and capacity in gallons will be cast into the tank.

Manufactured by:  
**C.R. Barger & Sons, Inc.**  
 238 Mays Valley Road  
 Harriman Tn 37748  
**Phone** 865.882.5860 **Fax** 865.882.6394  
 www.bargerandsons.com

General Notes:  
 All vertical measurements are accurate within ± 1 inch on the tank. The lids can be moved and resized if necessary. Written specifications and engineered drawings are available upon request. Tank is designed for a maximum cover of 8' and H2O loadings.

Tank Type: <b>Septic H-20 1500 Gallon Single Comp.</b>	
Date: <b>4.132005</b>	Approx. Weight: <b>26,000 lbs.</b>
Drawn By: <b>Eric Barger</b>	State: <b>Mississippi</b>