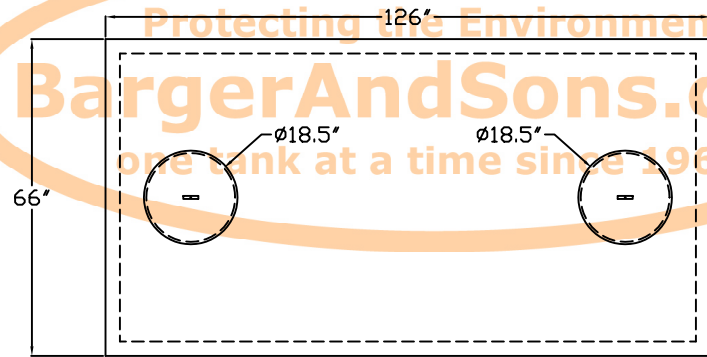
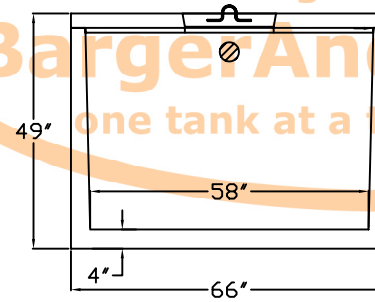


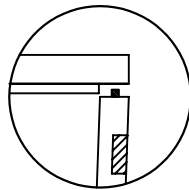
Top View



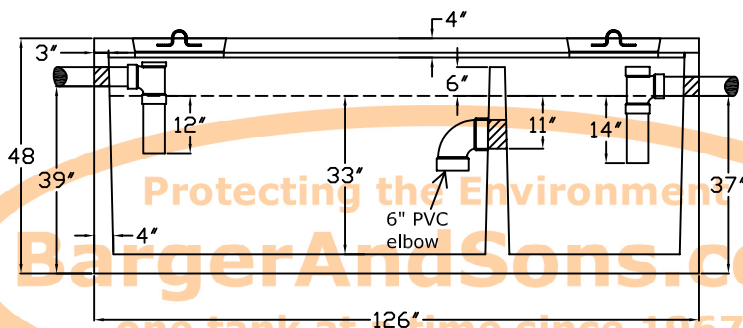
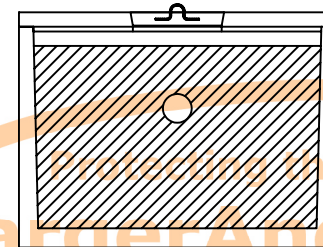
End View



Side View



Baffle View



**Specifications**

**Watertightness:** The tank is guaranteed watertight.

**Concrete:** 5,000 psi minimum strength (28 day)

**Liquid Surface Area:** 50 ft<sup>2</sup>

**Liquid Depth:** 33"

**Loading Requirement:** The tank will meet the 300 lb/ft<sup>2</sup> top loading mandated by the State of New York.

**Reinforcing:** Primary reinforcement will be #3 (Grade 60) rebar that will reinforce the top, side, baffle wall, and bottom. The rebar will be on 18" centers running the width and length of the tank. All splices will be overlapped 40 bar diameters. Structural reinforcing Forta fiber (3 lb/yd<sup>3</sup>) will also be used as a secondary reinforcement.

**Risers:** Risers over each access port will be available when the tank is buried more than 12" below finished grade.

**Sealant:** Sealant used in the seam of the tank will meet or exceed ASTM C990.

**Pipe Penetrations:** Inlet and outlets are fitted with seals that meet or exceed all ASTM C923 specifications and utilize a stainless band clamp to ensure a watertight connection.

**Monolithic Tank Body:** The baffle wall, sides, and bottom are poured monolithically.

**Tank Label:** On the end of the tank, above and to the right of the outlet, the tank label will read "CRB 1000".

Manufactured by:  
**C.R. Barger & Sons, Inc.**  
 238 Mays Valley Road  
 Harriman Tn 37748  
**Phone** 865.882.5860 **Fax** 865.882.6394  
 www.bargerandsons.com

General Notes:  
 All vertical measurements are accurate within ± 1 inch on the tank. The lids can be moved and resized if necessary. Written specifications are available upon request.

Tank Type:	Septic Tank 1000 Gallon Lowboy Top Seam	
Date:	11.292004	Approx. Weight: 12,000 lbs.
Drawn By:	Eric Barger	State: New York