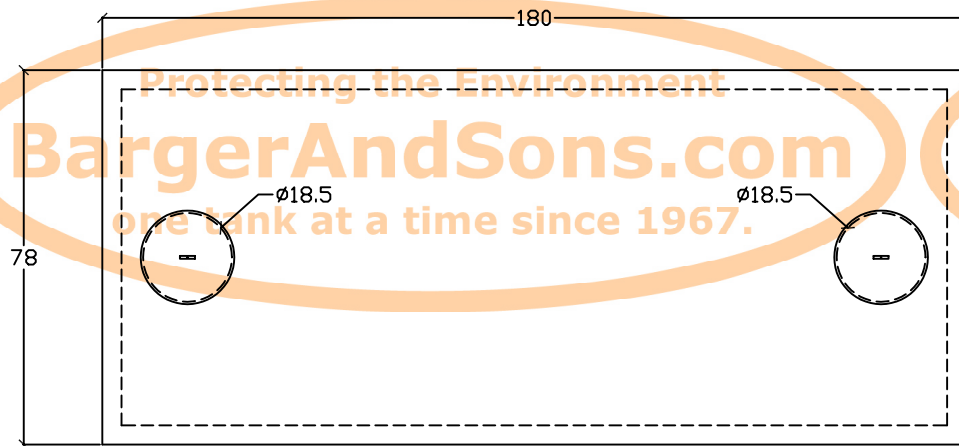
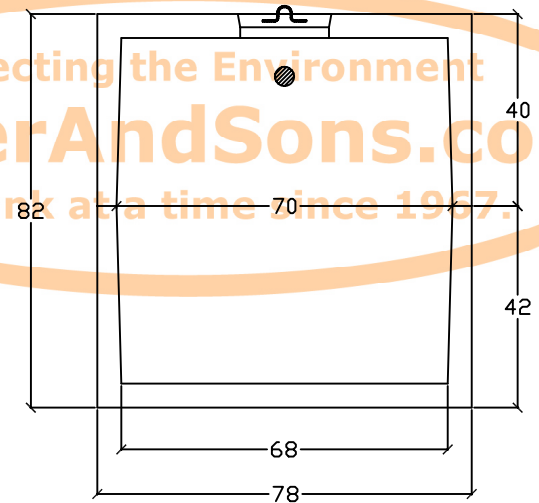


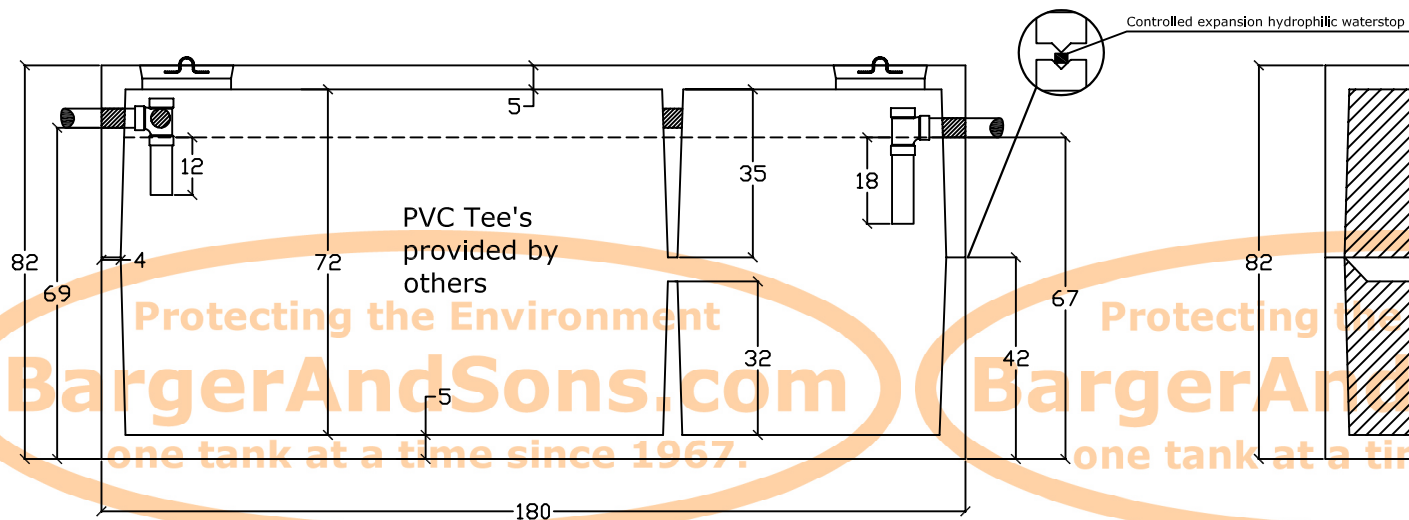
Top View



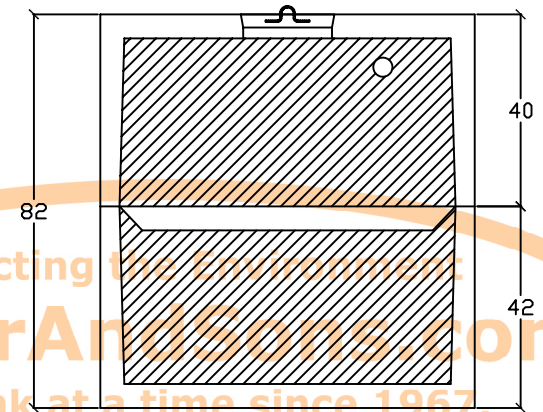
End View



Side View



Baffle View



Manufactured by:

**C.R. Barger & Sons, Inc.**  
238 Mays Valley Road  
Harriman Tn 37748  
Phone 865.882.5860 Fax 865.882.6394

General Notes:

All vertical measurements are accurate within  $\pm 1$  inch on the tank. The lids can be moved and resized if necessary. Written specifications are available upon request.

Tank Type:

**Septic Tank 3000 Gallon**

Date: 9.012004

Approx. Weight:

**29,000 lbs.**

Drawn By: Eric Barger