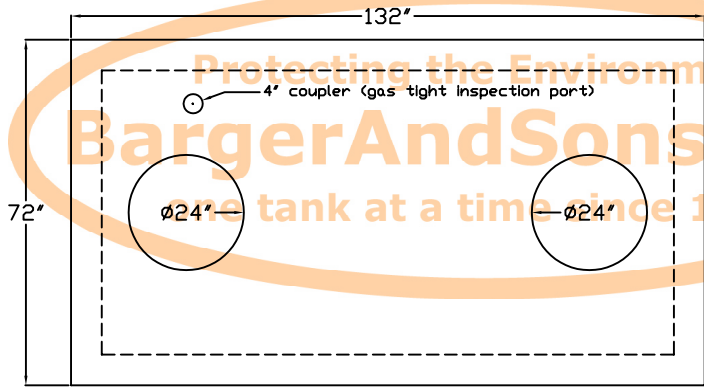
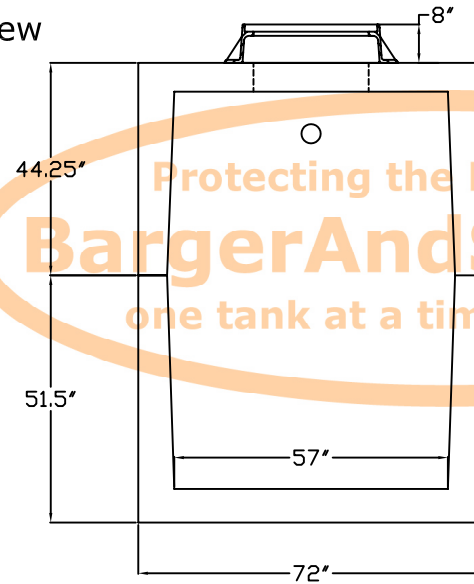


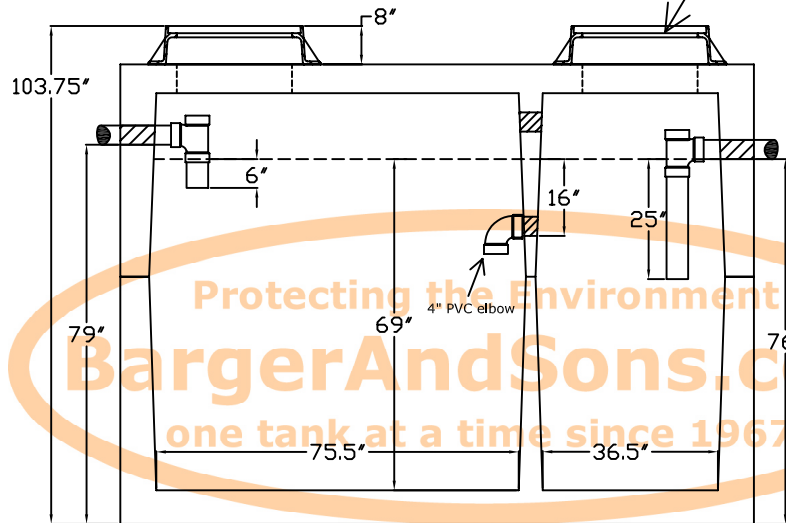
Top View



End View

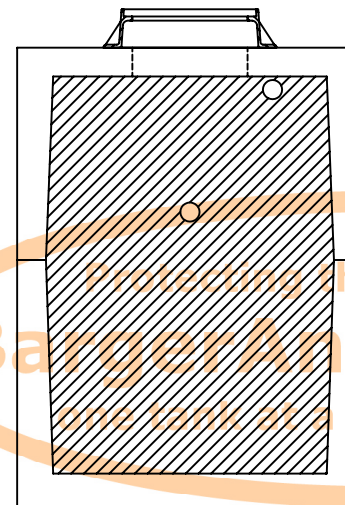


Side View

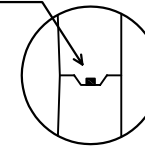


East Jordan 1047Z, 24" clear opening, H2O Manhole Frame and Cover. Lid is labeled "Grease". Please specify vented or nonvented lid.

Baffle View



Controlled Expansion Hydrophilic Waterstop



Specifications

Compartment 1: 1334 gallons

Compartment 2: 667 gallons

Concrete: 5,000 psi minimum strength (28 day)

Reinforcing: Primary reinforcement will be #5 and #7 rebar (Grade 60) in compliance with the engineer reinforcement detail. All splices will be overlapped 40 bar diameters.

Inspection Port: A 4" schedule 40 pvc coupler will be poured in each lid. 4" schedule 40 pvc pipe, with plug and adapter, can be brought to grade to be used as a gas tight inspection port.

Risers: Risers over each access port will be rated for traffic and brought to finished grade.

Sealant: Sealant used in the seam of the tank is a controlled expansion hydrophilic waterstop.

Pipe Penetrations: Inlet and outlets are fitted with seals that meet or exceed all ASTM C923 specifications.

Baffle Wall: The baffle wall is poured monolithically with the tank walls and bottom.

Tank Label: On the end of the tank, above and to the right of the outlet, the tank label will read "CRB 2000" with the date of manufacture below the abbreviation and size in gallons in the format mm/dd/yy.

Manufactured by:
C.R. Barger & Sons, Inc.
 238 Mays Valley Road
 Harriman Tn 37748
Phone 865.882.5860 **Fax** 865.882.6394
 www.bargerandsons.com

General Notes:
 All vertical measurements are accurate within ± 1 inch on the tank. The lids can be moved and resized if necessary. Written specifications and engineered drawings are available upon request. Tank is designed for a maximum cover of 8' and H2O loadings.

Tank Type:	Septic Tank 2000 Gallon H-20 Traffic Rated	
Date:	11.292004	Approx. Weight: 30,500 lbs.
Drawn By:	Eric Barger	State: West Virginia