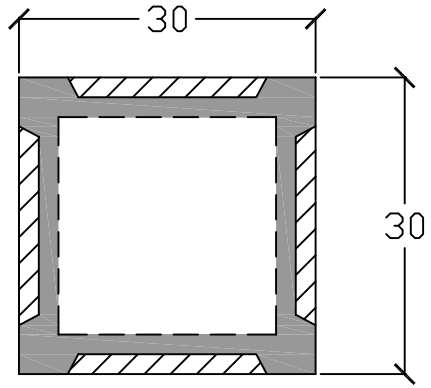
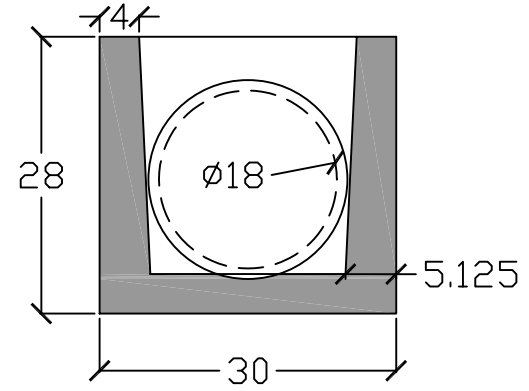


Top View



Side View



Manufactured by:
C.R. Barger & Sons, Inc.
 P.O. Box 370
 Kingston TN 37763
 Phone 865.882.5860 Fax 865.882.6394
 www.BargerAndSons.com

General Notes:
 All measurements are accurate within ± 1 Inch. Distribution box is not traffic ready. Inlets and outlets can be placed where needed. Written specifications available upon request or online at www.bargerandsons.com.

Tank Type: **Catch Basin**

Date: **2.23.2009**

Approx. Weight: **1,100 lbs.**

Drawn By: **Eric Barger**