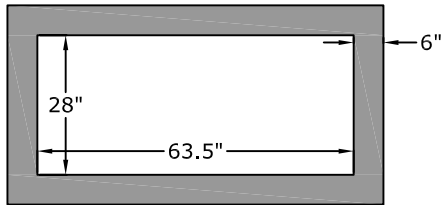
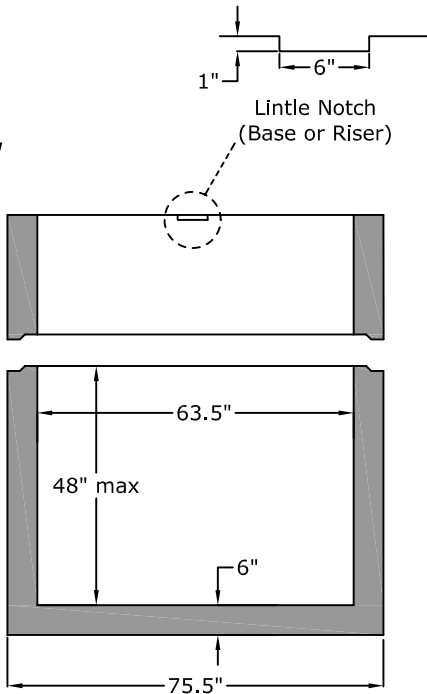


# Top View



# Side View



## Riser Weight

Height (in.)	Weight (lb.)
24"	2,550
30"	3,200
36"	3,800
42"	4,450
48"	5,100

## Base Weight

Height (in.)	Weight (lb.)
24"	4,100
30"	4,700
36"	5,400
42"	6,000
48"	6,650

## Approved for Production

Project: \_\_\_\_\_

Date: \_\_\_\_\_

Quantity: \_\_\_\_\_

By: \_\_\_\_\_



C.R. Barger & Sons, Inc.  
 P.O. Box 370 - Kingston TN 37763  
 Phone 888.882.5860 - BargerAndSons.com

### Specifications

**Concrete:** 5,000 psi minimum strength (28 day)  
**Reinforcement:** ASTM C 913 Latest Edition  
**Heights:** Custom heights available.

## Double Catch Basin, Curb Inlet, and General Box 28" x 63.5"

Date: 1.222010

Drawn By: Eric Barger