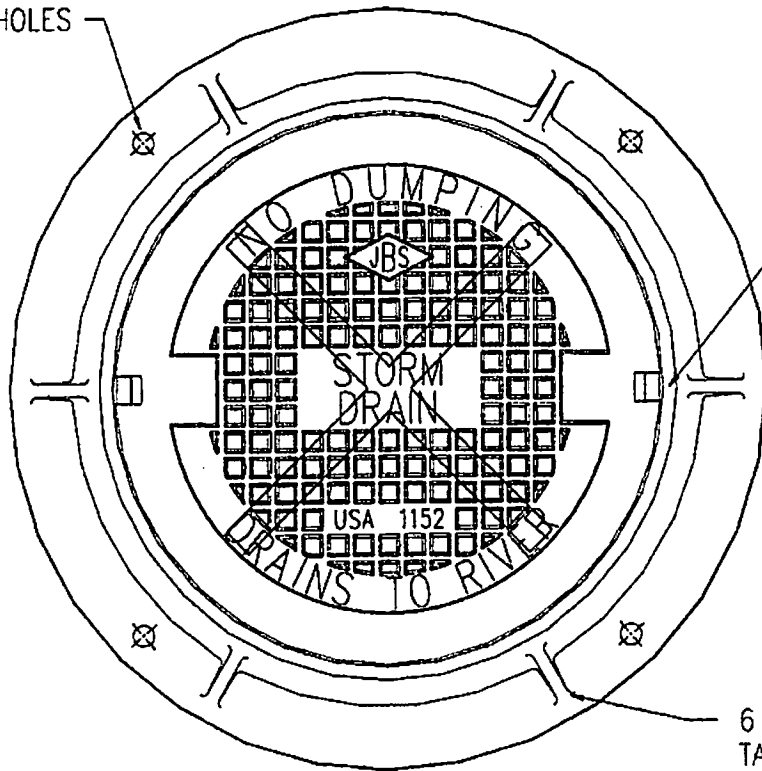
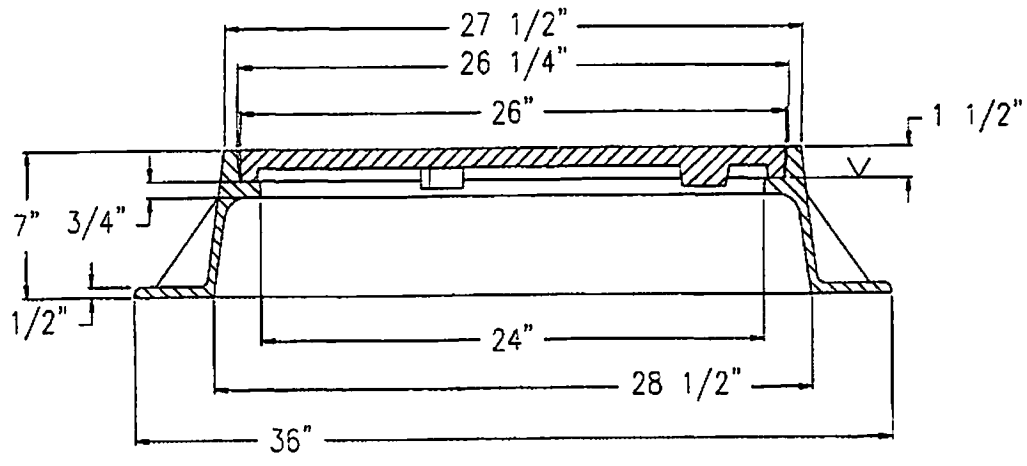


4 - \varnothing 1" ANCHOR HOLES



2 CONCEALED PICKSLOTS

6 GUSSETS $\frac{5}{8}$ " TAPER TO $\frac{3}{8}$ "



MADE IN THE USA

CLASS 35B GRAY IRON
MACHINED BEARING SURFACES
HEAVY DUTY, H20 LOAD RATED

John Bouchard & Sons Co.

1024 Harrison Street, Nashville, TN 37203

Tel: 615-256-0112

Fax: 615-327-2427

www.jbouchard.com email: foundry@jbouchard.com

1152 FRAME & COVER