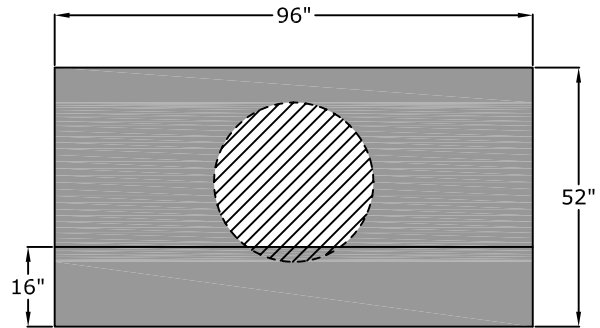
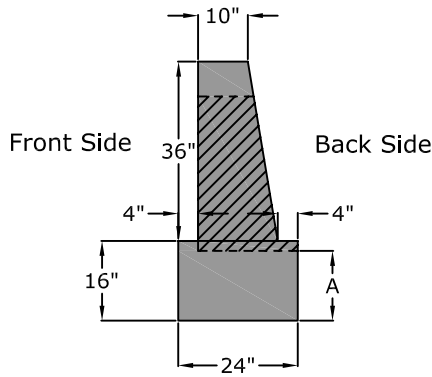


Side View

Front View



A short length of pipe can be cast into the headwall to make solid connection. Please specify pipe size and brand.

Hole Diameter	
Dimension "A"	
Pipe Size	

Approved for Production

Project: _____

Date: _____

Quantity: _____

By: _____



C.R. Barger & Sons, Inc.
 P.O. Box 370 - Kingston TN 37763
 Phone 888.882.5860 - BargerAndSons.com

Specifications

Concrete: 5,000 psi minimum strength (28 day)
Reinforcement: #4 rebar, Grade 60 on 12" centers each way

**Head Wall TDOT Straight
 32" Max Opening**

Date: 9.092009

Drawn By: Eric Barger

Approx. Vault Weight: 7,000 lbs.