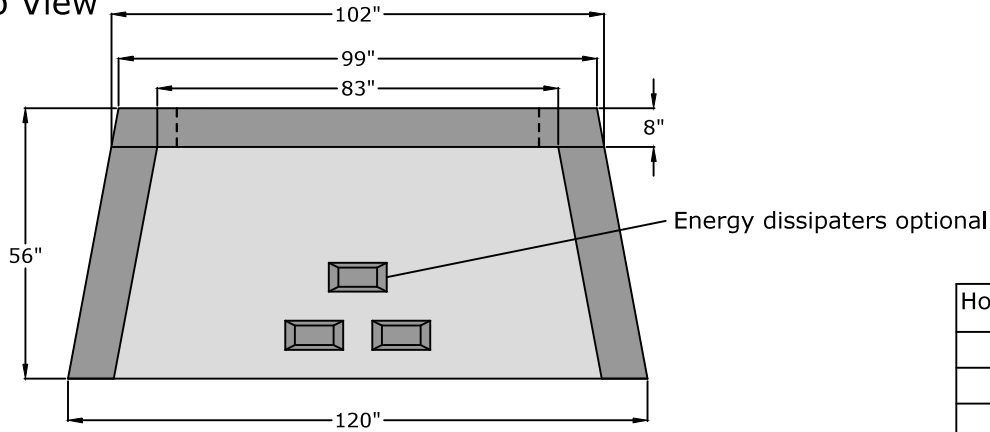
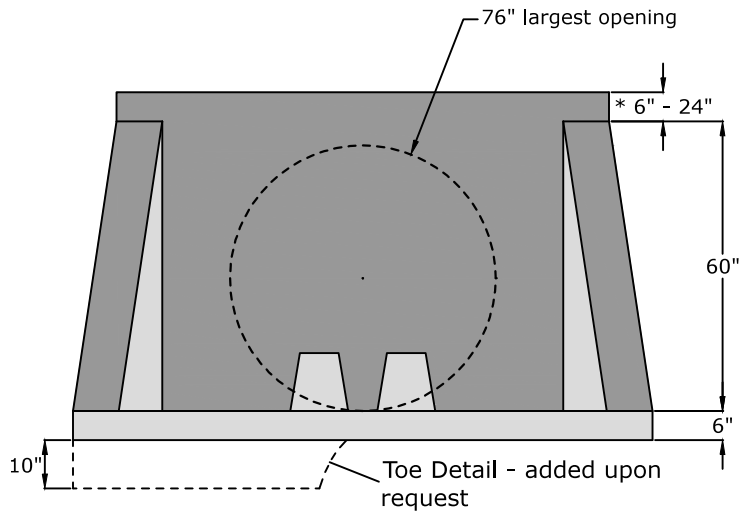


Top View



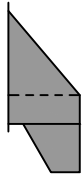
Hole Dia. (in.)	Weight (lb.)
56"	7,780
62"	7,409
66"	7,145
70"	7,535
76"	7,485
78"	7,460
<b>Toe</b>	<b>Add 900</b>

Front View



\* This measurement can range from 6" to 24". Please specify when ordering.

A short length of pipe can be cast into the headwall to make solid connection. Please specify pipe size and brand.



Toe Detail - added upon request

**Approved for Production**

Project: \_\_\_\_\_

Date: \_\_\_\_\_

Quantity: \_\_\_\_\_

By: \_\_\_\_\_



C.R. Barger & Sons, Inc.  
 P.O. Box 370 - Kingston TN 37763  
 Phone 888.882.5860 - BargerAndSons.com

**Specifications**

**Concrete:** 5,000 psi minimum strength (28 day)  
**Reinforcement:** #3 rebar (Grade 60) or 0.12 in<sup>2</sup> WWF  
**Energy Dissipaters:** Added upon request (12"L x 6"W x 12"H)  
**Toe:** Added upon request

**Head Wall Large**

Date: 4.092012

Drawn By: Eric Barger

Approx. Vault Weight: 12,000 lbs.