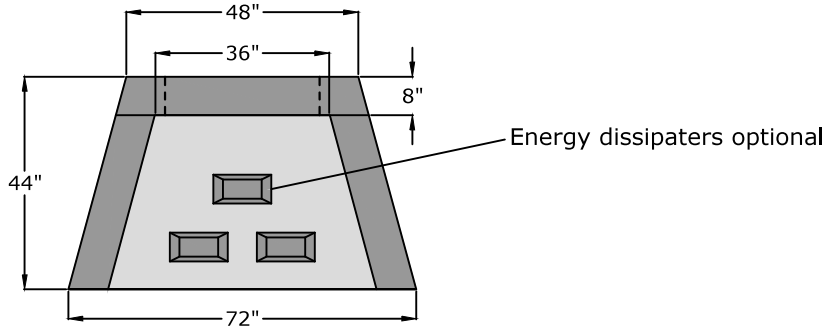
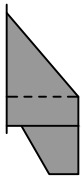
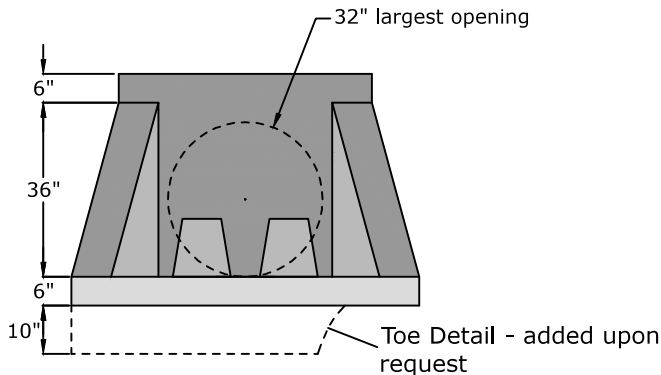


Top View



Front View



Toe Detail - added upon request

Height (in.)	Weight (lb.)
No Hole	3,610
12"	3,540
16"	3,480
22"	3,360
26"	3,260
32"	3,080
Toe	Add 510

A short length of pipe can be cast into the headwall to make solid connection. Please specify pipe size and brand.

Approved for Production

Project: _____ Date: _____

Quantity: _____ By: _____



Five generations. One goal.
BargerAndSons.com
 Quality precast concrete.

C.R. Barger & Sons, Inc.
 P.O. Box 370 - Kingston TN 37763
 Phone 888.882.5860 - BargerAndSons.com

Specifications

Concrete: 5,000 psi minimum strength (28 day)
Reinforcement: #3 rebar (Grade 60) or 0.12 in² WWF
Energy Dissipaters: Added upon request (12"L x 6"W x 12"H)
Toe: Added upon request

Headwall Small

Date: 4.112012

Drawn By: Eric Barger

Approx. Vault Weight: See Chart