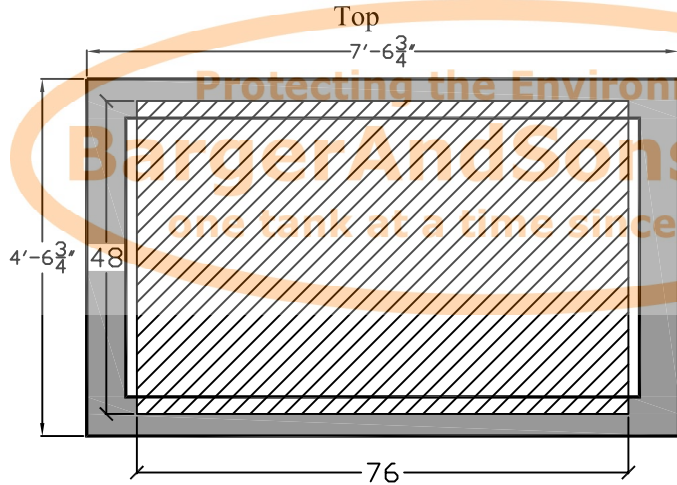
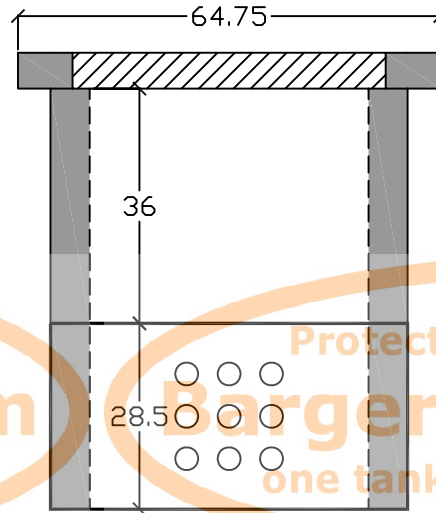
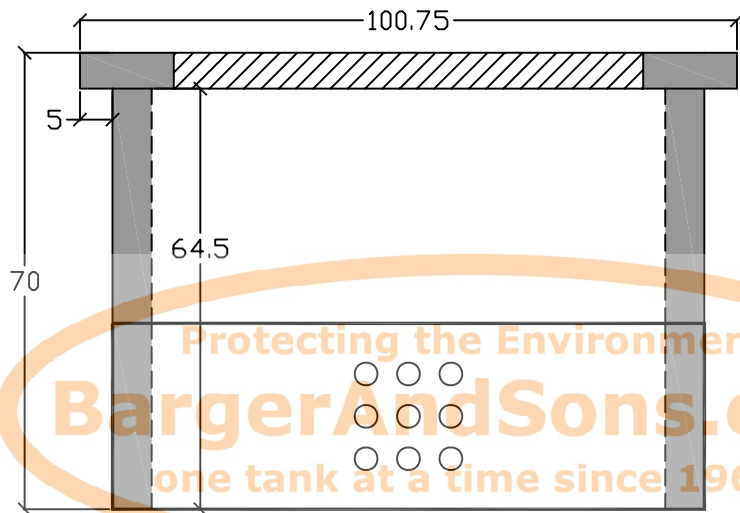


Top View

End View



Side View



Specifications

Concrete: 5,000 psi minimum strength (28 day)

Reinforcing: Primary reinforcement will be #3 rebar (Grade 60) rebar that will reinforce the sides and ends. The rebar will be on 8" centers running the width and length of the box. All splices will be overlapped 40 bar diameters.

Pipe Penetrations: All vault conduit terminators will fit 4" Sch. 40 and 80 PVC pipe. Seal rings are available to ensure a smooth edge to protect the cables during pulls.

Lifting Devices: Each individual lifting device will have a Safe Working Load of 6000 lbs (90 degree tension) or 9300 pounds (90 degree shear).

Pulling eye's: Each individual pulling eye will have a Safe Working Load of 6000 lbs (90 degree tension) or 9300 pounds (90 degree shear).

Hatch: Top hatch will be 4' x 6' in width and length and feature a double leaf opening assembly that will accept a typical pad lock assembly. The hatch will be poured into the top slab lid and support 300 psf.

Manufactured by:
C.R. Barger & Sons, Inc.
 123 Pawnook Farm Road
 Lenoir City TN 37771
Phone 865.882.5860 **Fax** 865.882.6394
 www.BargerAndSons.com

General Notes:

All vertical measurements are accurate within ± 1/2 inch. The lids can be moved and resized if necessary. Written specifications are available upon request.

Tank Type: **Electrical Conduit Box with riser and lid**

Date: **7.252007**

Approx. Weight: **3,700 lb.**

Drawn By: **Eric Barger**

Build: **Craig Dunn, PE, CPE**