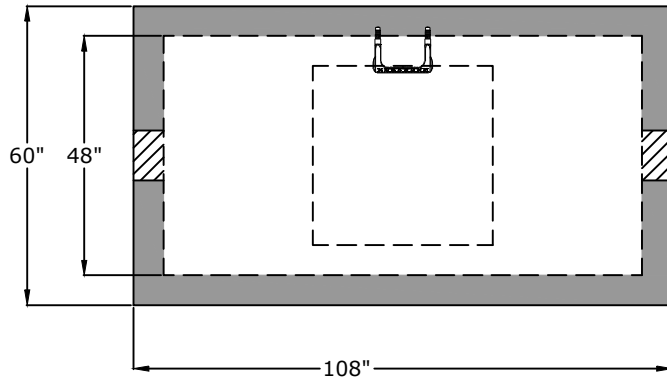


Top View

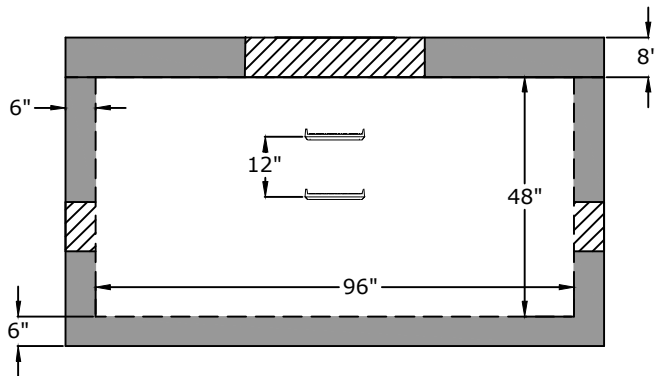


Notes

Lid weight - 4,500 lb  
 Body weight - 11,200 lb

Side View

Hatch size and placement per job



Approved for Production

Project: \_\_\_\_\_

Date: \_\_\_\_\_

Quantity: \_\_\_\_\_

By: \_\_\_\_\_

**BARGER**  
**PRECAST**

Specifications

- Concrete:** 5,000 psi minimum strength (28 day)
- Reinforcing:** Primary reinforcement will be rebar (Grade 60) rebar.
- Pipe Penetrations:** All pipe penetrations are placed according to job requirements.
- Sealant:** Sealant used will meet or exceed ASTM C990.
- Steps:** If required, the steps will be aligned under hatch unless specified.

**96" L x 48" W x 48" T - Vault**

C.R. Barger & Sons, Inc.  
 P.O. Box 370 - Kingston TN 37763  
 Phone 888.882.5860 - BargerAndSons.com

Date: 11.152021

Drawn By: Eric Barger

Last Updated: 2.032022