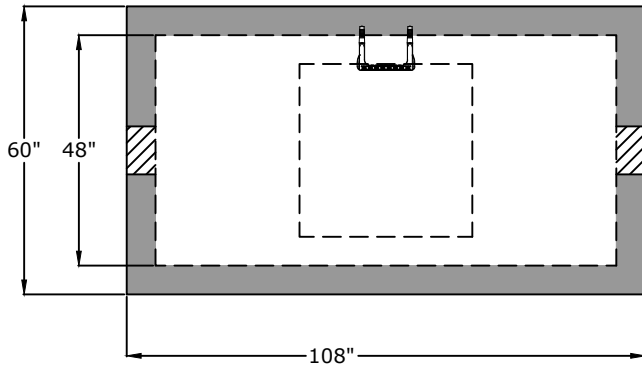


Top View

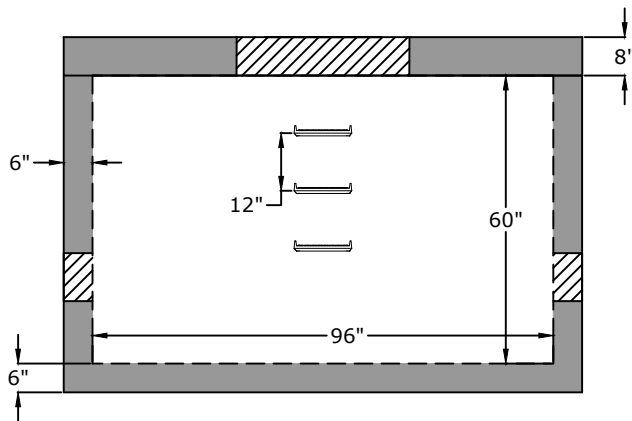


Notes

Lid weight - 4,500 lb
 Body weight - 12,500 lb

Side View

Hatch size and placement per job



Approved for Production

Project: _____

Date: _____

Quantity: _____

By: _____

BARGER
PRECAST

Specifications

- Concrete:** 5,000 psi minimum strength (28 day)
- Reinforcing:** Primary reinforcement will be rebar (Grade 60) rebar.
- Pipe Penetrations:** All pipe penetrations are placed according to job requirements.
- Sealant:** Sealant used will meet or exceed ASTM C990.
- Steps:** If required, the steps will be aligned under hatch unless specified.

96" L x 48" W x 60" T - Vault

C.R. Barger & Sons, Inc.
 P.O. Box 370 - Kingston TN 37763
 Phone 888.882.5860 - BargerAndSons.com

Date: 2.142023

Drawn By: Eric Barger

Last Updated: 2.142023