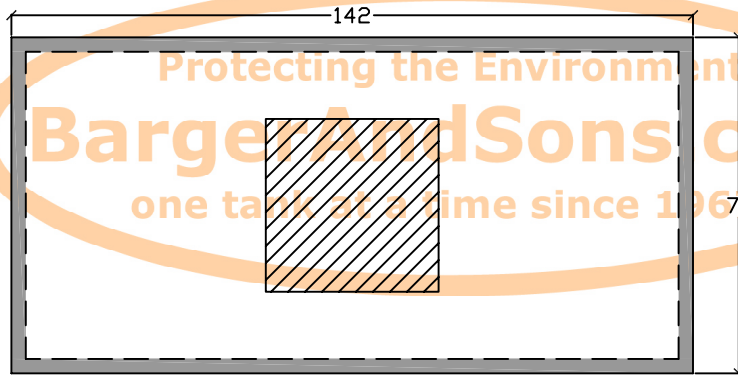
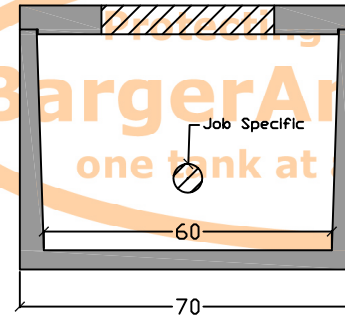


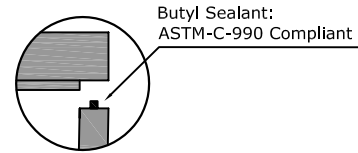
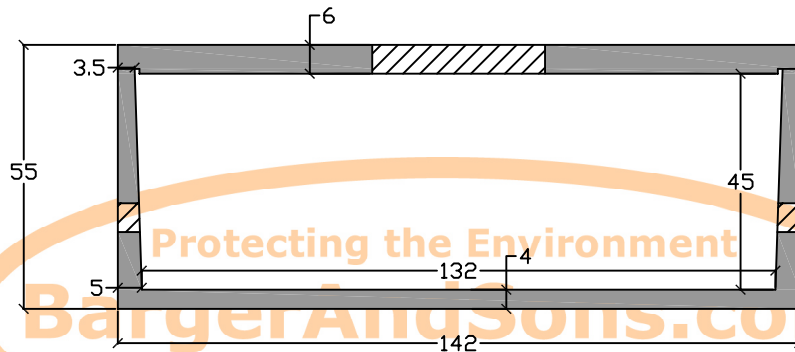
Top View



End View



Side View



**Specifications**

**Concrete:** 5,000 psi minimum strength (28 day)

**Reinforcing:** Primary reinforcement will be a #3 rebar (Grade 60) rebar that will reinforce the sides and bottom. The rebar will be on 12" centers running the width and length of the tank. All splices will be overlapped 40 bar diameters.

**Pipe Penetrations:** The inlet and outlet are fitted with seals that meet or exceed ASTM C923. All pipe penetrations are placed according to job requirements.

**Meter Box Lid:** The meter box lid will be an aluminum bilco lid with a load rating of 150 p.s.f. Lids can be drop-in-place or cast-in-place and positioned in the top according to job requirements.

Meter box lid sizes kept in stock are 3' x 3' and 4' x 6'. Other sizes available upon request.



Manufactured by:  
**C.R. Barger & Sons, Inc.**  
 238 Mays Valley Road  
 Harriman Tn 37748  
**Phone** 865.882.5860 **Fax** 865.882.6394  
 www.bargerandsons.com

General Notes:  
 All vertical measurements are accurate within ± 1 inch on the tank. The lids can be moved and resized if necessary. Written specifications are available upon request.

Tank Type: <b>Meter Pit 1250</b>	
Date: <b>3.222006</b>	Approx. Weight: <b>13,000 lbs.</b>
Drawn By: <b>Eric Barger</b>	Sub-type: <b>Top Seam</b>