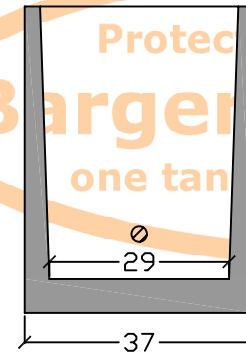


Top View



End View



**Specifications**

**Concrete:** 5,000 psi minimum strength (28 day)

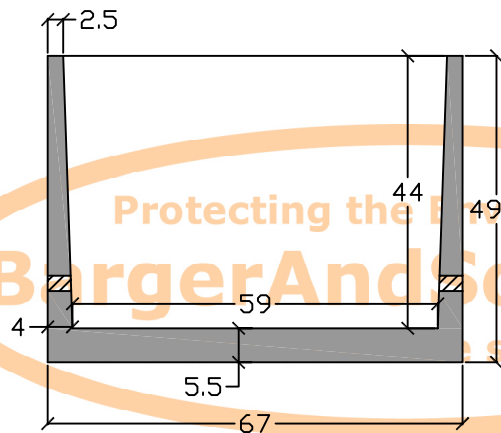
**Reinforcing:** Primary reinforcement will be a #3 rebar (Grade 60) rebar that will reinforce the sides and bottom. The rebar will be on 12" centers running the width and length of the tank. All splices will be overlapped 40 bar diameters.

**Lifting Devices:** Each individual lifting device will have a Safe Working Load (SWL) of 6000 lbs (90 degree tension) or 9300 pounds (90 degree shear).

**Pipe Penetrations:** The inlet and outlet are fitted with seals that meet or exceed ASTM C923.

**Meter Box Lid:** The meter box lid will be an aluminum lid with a load rating of 150 p.s.f.

Side View



Manufactured by:  
**C.R. Barger & Sons, Inc.**  
 238 Mays Valley Road  
 Harriman Tn 37748  
**Phone** 865.882.5860 **Fax** 865.882.6394  
 www.bargerandsons.com

General Notes:  
 All vertical measurements are accurate within ± 1/2 inch on the tank. Written specifications are available upon request.

Tank Type: <b>Meter Pit (49.5" tall)</b>	
Date: <b>3.152006</b>	Approx. Weight: <b>2,500 lbs.</b>
Drawn By: <b>Eric Barger</b>	Build: <b>Single Compartment</b>