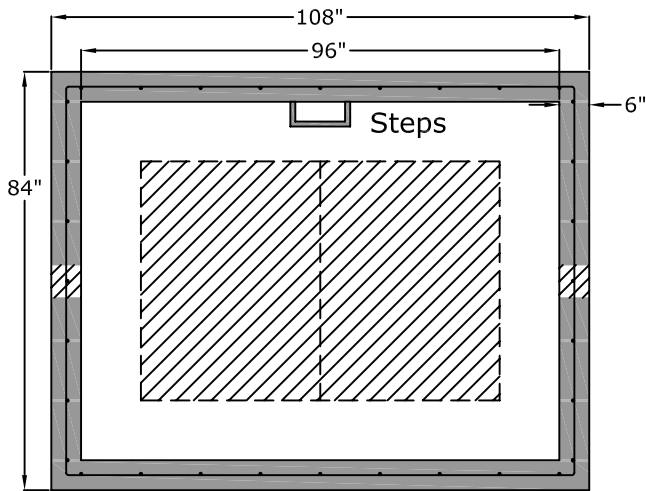
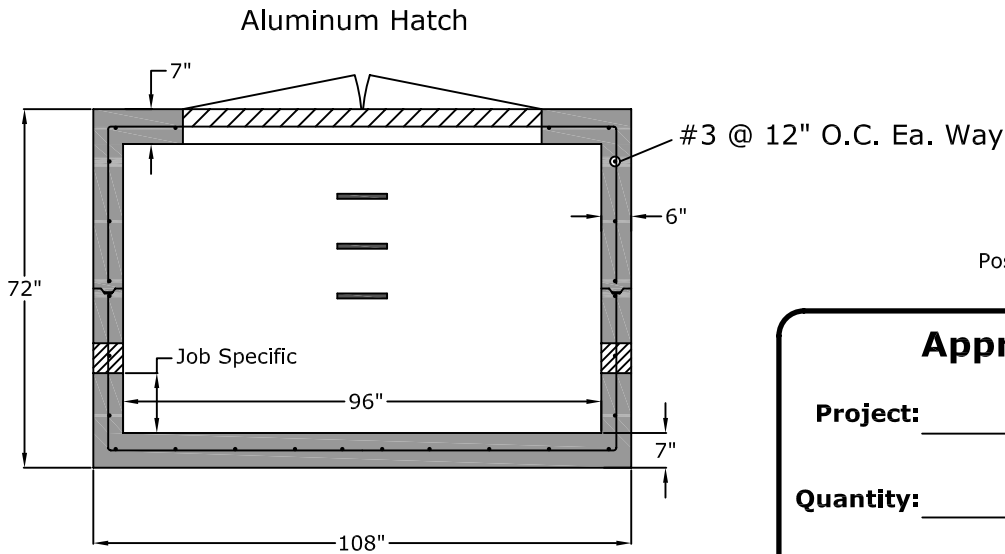


# Top View

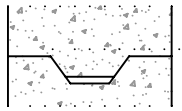


# Side View



### Joint Detail

Positive Lock Male/Female Keyway  
 +/- 0.005" tolerance



## Approved for Production

**Project:** \_\_\_\_\_

**Quantity:** \_\_\_\_\_

**Date:** \_\_\_\_\_

**By:** \_\_\_\_\_



**C.R. Barger & Sons, Inc.**  
 P.O. Box 370 - Kingston TN 37763  
 Phone 888.882.5860 - BargerAndSons.com

### Specifications

**Concrete:** 5,000 psi minimum strength (28 day)

**Reinforcing:** Primary reinforcement will be a #3 rebar (Grade 60) rebar. An H-20 traffic version is available.

**Pipe Penetrations:** The inlet and outlet are fitted with solid seals that meet or exceed ASTM C923 (4" D.I.P. - 10" D.I.P.) unless otherwise specified. All pipe penetrations are placed according to job requirements.

**Pipe Stands:** Adjustable height pipe stands will be provided to support assembly if required.

**Sealant:** Sealant used will meet or exceed ASTM C990.

**Steps:** If required, the steps will be aligned under hatch unless specified.

## 8' x 6' x 6' Vault

Date: 8.142008

Drawn By: Eric Barger

Approx. Vault Weight: 18,000 lbs.