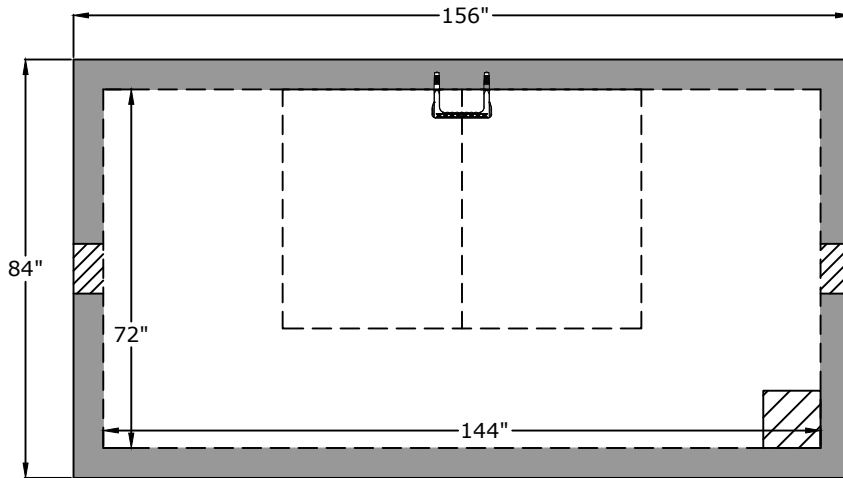


Top View



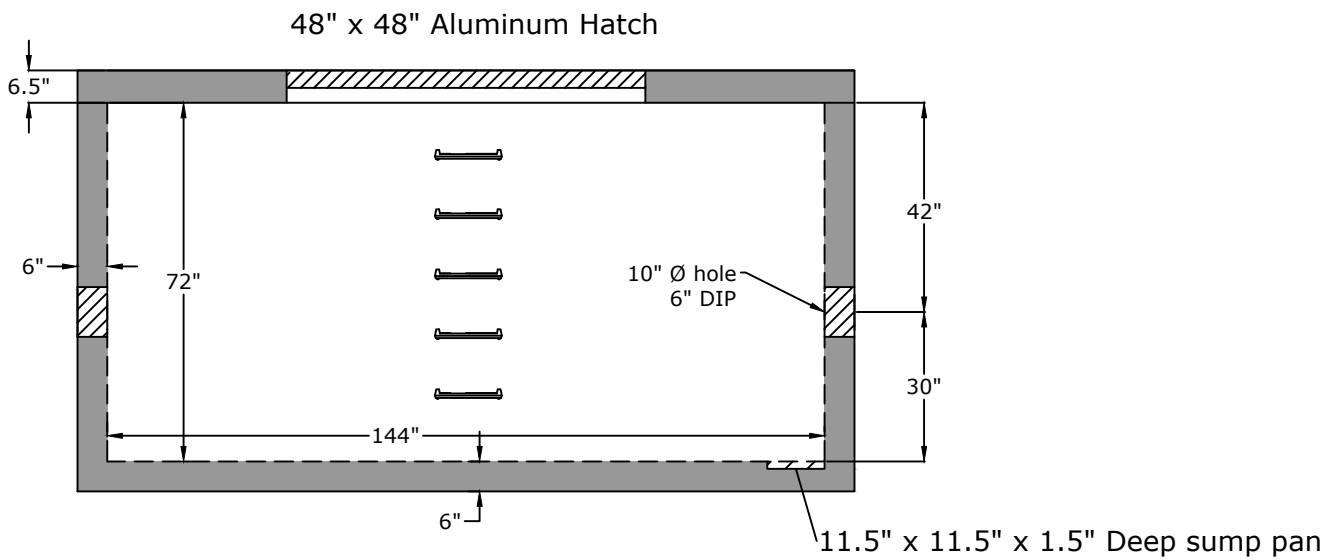
Notes

Top Weight - 7,500 lb
Bottom Weight- 24,000 lb

1. 48" x 72" aluminum hatch (ej H48721107)

Side View

Flow →



Approved for Production

Project: _____

Date: _____

Quantity: _____

By: _____

BARGER
PRECAST

C.R. Barger & Sons, Inc.
P.O. Box 370 - Kingston TN 37763
Phone 888.882.5860 - BargerAndSons.com

Specifications

Concrete: 5,000 psi minimum strength (28 day)
Reinforcing: Primary reinforcement will be a #3 rebar (Grade 60) rebar.
Pipe Penetrations: All pipe penetrations are placed according to job requirements.
Sealant: Sealant used will meet or exceed ASTM C990.
Steps: If required, the steps will be aligned under hatch unless specified.

12' L x 6' W x 6' T I.D.
Meter Vault

Date: 2.212022

Updated: 10.022023

Drawn by: Eric Barger