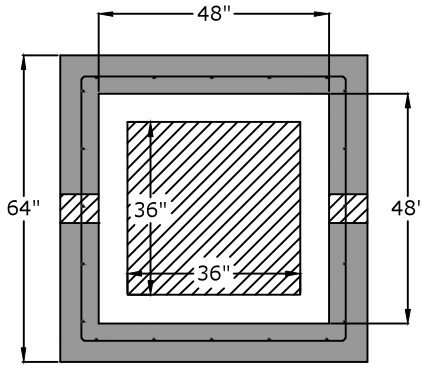
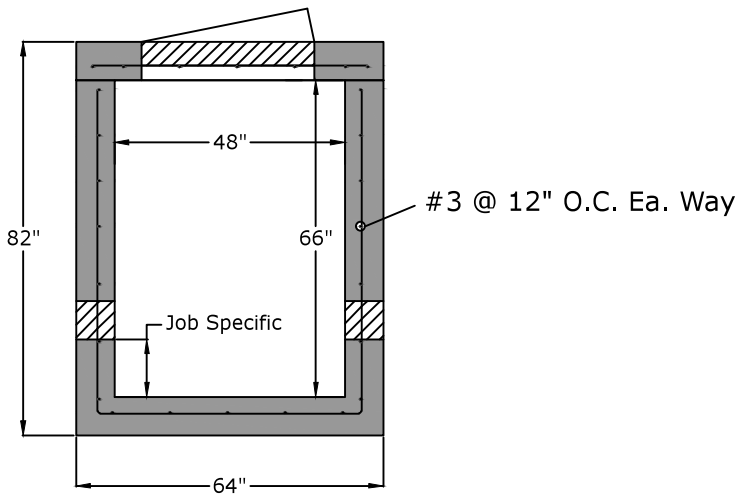


Top View



Side View

Aluminum Hatch



**Approved for Production**

**Project:** \_\_\_\_\_

**Date:** \_\_\_\_\_

**Quantity:** \_\_\_\_\_

**By:** \_\_\_\_\_



**C.R. Barger & Sons, Inc.**  
 P.O. Box 370 - Kingston TN 37763  
 Phone 888.882.5860 - BargerAndSons.com

**Specifications**

**Concrete:** 5,000 psi minimum strength (28 day)  
**Reinforcing:** Primary reinforcement will be a #3 rebar (Grade 60) rebar. An H-20 traffic version is available.  
**Pipe Penetrations:** The inlet and outlet are fitted with solid seals (4" D.I.P. - 10" D.I.P.) unless otherwise specified. All pipe penetrations are placed according to job requirements.  
**Pipe Stands:** Adjustable height pipe stands may be provided to support assembly if required.  
**Sealant:** Sealant used will meet or exceed ASTM C990.  
**Steps:** If required, the steps will be aligned under hatch unless specified.  
 See Terms and Conditions

**4' x 4 x 5'-6" Vault**

Date: 10.172013

Drawn By: Eric Barger

Approx. Vault Weight: 16,500 lbs.