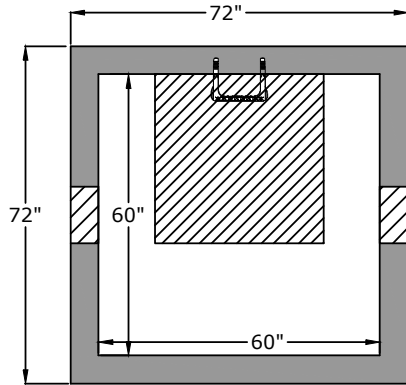


Top View



Notes

Weight

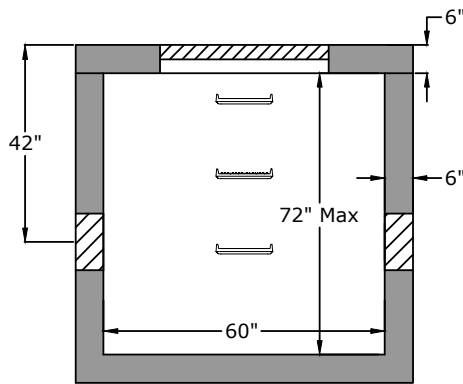
- 72" Tall ID -  
Lid - ~2,800 lb  
Bottom - ~12,600 lb

- 60" Tall ID -  
Lid - ~2,800 lb  
Bottom - ~11,000 lb

- 48" Tall ID -  
Lid - ~2,800 lb  
Bottom - ~9,300 lb

Side View

36" x 36" Aluminum Hatch  
Pedestrian Rated



Approved for Production

Project: \_\_\_\_\_

Date: \_\_\_\_\_

Quantity: \_\_\_\_\_

By: \_\_\_\_\_

**BARGER**  
**PRECAST**

Specifications

**Concrete:** 5,000 psi minimum strength (28 day)  
**Reinforcing:** Primary reinforcement will be #3 rebar (Grade 60) rebar (ASTM C913).  
**Pipe Penetrations:** All pipe penetrations are placed according to job requirements.  
**Sealant:** Sealant used will meet or exceed ASTM C990.  
**Steps:** Aligned under hatch unless specified.  
**General:** Meter vaults are not water tight structures unless specified.

5' L x 5' W Meter Vault

C.R. Barger & Sons, Inc.  
P.O. Box 370 - Kingston TN 37763  
Phone 888.882.5860 - BargerAndSons.com

Date: 1.312022

Drawn By: Eric Barger