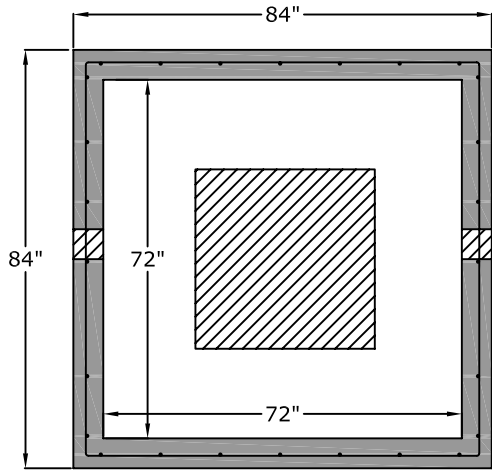
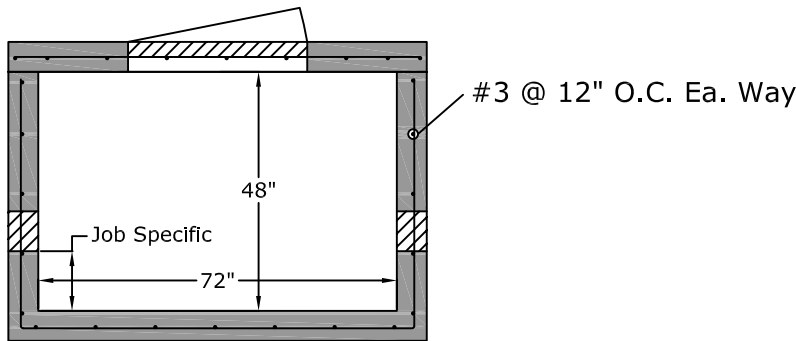


Top View



Side View

Aluminum Hatch



Approved for Production

Project: \_\_\_\_\_

Date: \_\_\_\_\_

Quantity: \_\_\_\_\_

By: \_\_\_\_\_



C.R. Barger & Sons, Inc.  
 P.O. Box 370 - Kingston TN 37763  
 Phone 865.270.8080 - BargerAndSons.com

Specifications

- Concrete:** 5,000 psi minimum strength (28 day)
- Reinforcing:** Primary reinforcement will be a #3 rebar (Grade 60) rebar.
- Pipe Penetrations:** All pipe penetrations are placed according to job requirements.
- Pipe Stands:** Adjustable height pipe stands will be provided to support assembly.
- Sealant:** Sealant used will meet or exceed ASTM C990.
- Steps:** Aligned under hatch unless specified.
- General:** Meter vaults are not water tight structures.

6' x 6' x 4' Vault

Date: 2.012010

Drawn By: Eric Barger

Approx. Vault Weight: 15,500 lbs.