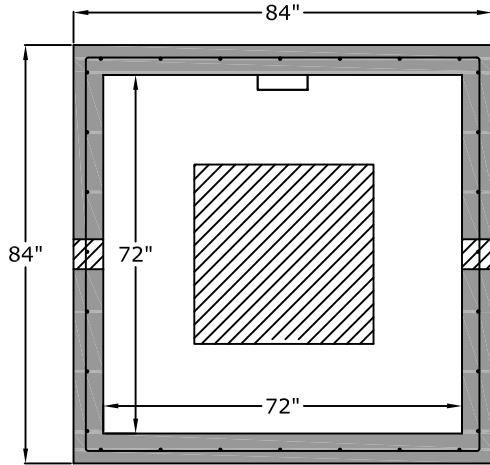


## Top View

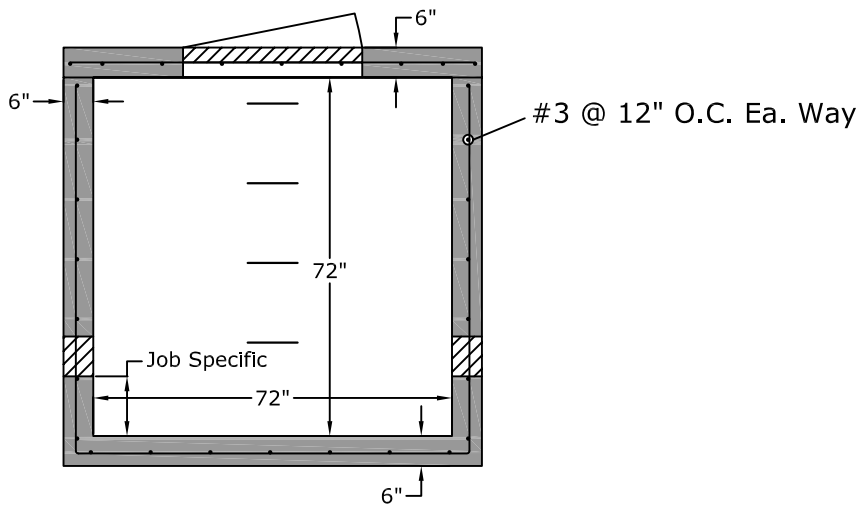


## Weights

Total - 18,800 lb.  
 Top - 3,600 lb.  
 Bottom - 15,200 lb.

## Side View

Aluminum Hatch



## Approved for Production

Project: \_\_\_\_\_

Date: \_\_\_\_\_

Quantity: \_\_\_\_\_

By: \_\_\_\_\_



C.R. Barger & Sons, Inc.  
 P.O. Box 370 - Kingston TN 37763  
 Phone 865.270.8080 - BargerAndSons.com

### Specifications

**Concrete:** 5,000 psi minimum strength (28 day)  
**Reinforcing:** Primary reinforcement will be a #3 rebar (Grade 60).  
**Pipe Penetrations:** All pipe penetrations are placed according to job requirements.  
**Pipe Stands:** Adjustable height pipe stands will be provided to support assembly.  
**Sealant:** Sealant used will meet or exceed ASTM C990.  
**Steps:** Aligned under hatch unless specified.  
**General:** Meter vaults are not water tight structures.

## 6' x 6' x 6' Vault

Date: 12.172010

Drawn By: Eric Barger

Approx. Vault Weight: See chart