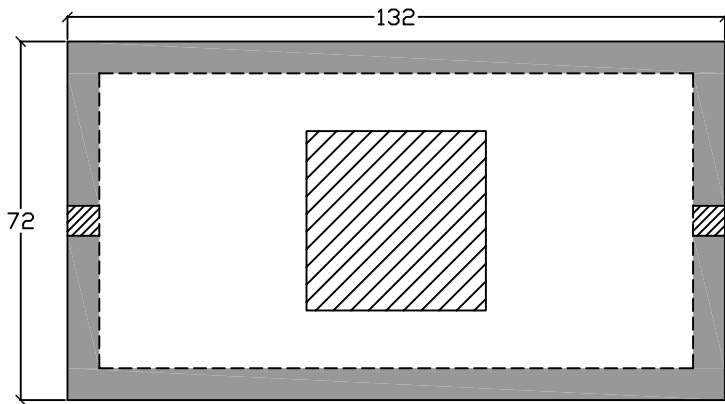
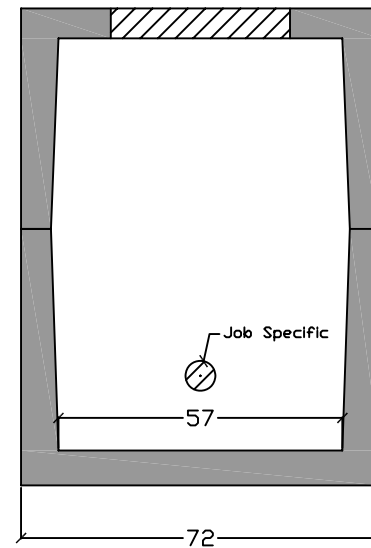


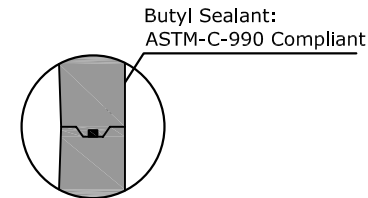
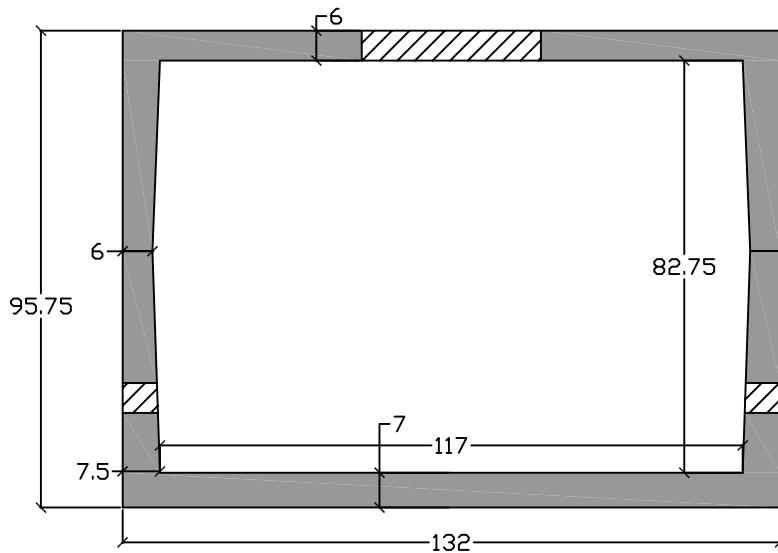
Top View



End View



Side View



Specifications

Concrete: 5,000 psi minimum strength (28 day)

Reinforcing: Primary reinforcement will be a #3 rebar (Grade 60) rebar that will reinforce the sides and bottom.

Pipe Penetrations: All pipe penetrations are placed according to job requirements.

Meter Box Lid: The meter box lid will be an aluminum bilco lid with a load rating of 150 p.s.f. Lids can be drop-in-place or cast-in-place and positioned in the top according to job requirements.

Meter box lid sizes kept in stock are 3' x 3' and 4' x 6'. Other sizes available upon request.

General: Meter vaults are not water tight structures.



Manufactured by:
C.R. Barger & Sons, Inc.
 P.O. Box 370
 Kingston TN 37763
 Phone 865.270.8080 Fax 865.270.8079
 www.BargerAndSons.com

General Notes:
 All vertical measurements are accurate within ± 1 inch on the tank. The lids can be moved and resized if necessary. Written specifications are available upon request.

Tank Type:	Meter Pit 2000 H-20 Traffic Rated	
Date:	3.232006	Approx. Weight: 30,500 lbs.
Drawn By:	Eric Barger	Sub-type: Mid Seam