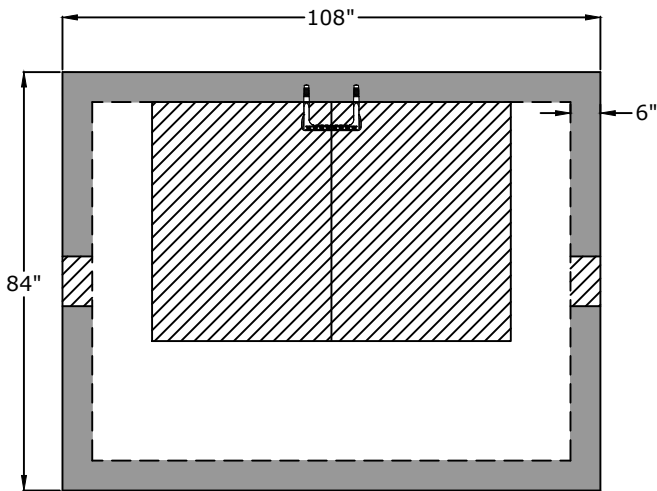


**Top View**



**Notes**

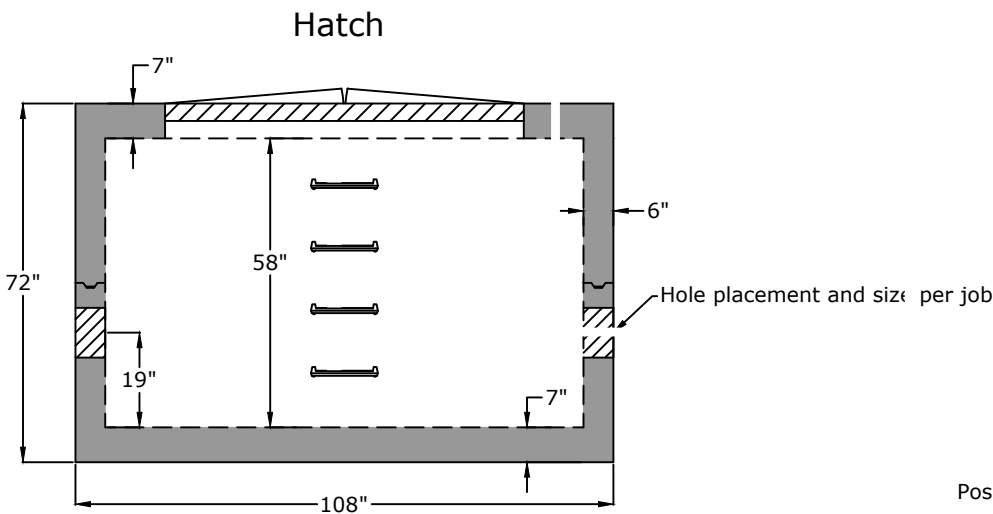
4' x 6' aluminum hatch

**Weights**

Top - ~10,500 lb

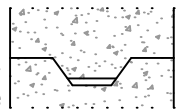
Bottom - ~11,000 lb

**Side View**



**Joint Detail**

Positive Lock Male/Female Keyway  
+- 0.005" tolerance



**Approved for Production**

**Project:** \_\_\_\_\_

**Date:** \_\_\_\_\_

**Quantity:** \_\_\_\_\_

**By:** \_\_\_\_\_

**BARGER  
PRECAST**

**Specifications**

**Concrete:** 5,000 psi minimum strength (28 day)

**Reinforcing:** Primary reinforcement will be a #3 rebar (Grade 60) rebar.

**Pipe Penetrations:** All pipe penetrations are placed according to job requirements.

**Sealant:** Sealant used will meet or exceed ASTM C990.

**Steps:** Aligned under hatch unless specified.

**General:** Meter vaults are not water tight structures unless specified by Barger And Sons.

**8' L x 6' W x 58" T Vault**

C.R. Barger & Sons, Inc.  
P.O. Box 370 - Kingston TN 37763  
Phone 888.882.5860 - BargerAndSons.com

Date: 5.262022

Drawn By: Eric Barger

Updated: 5.262022