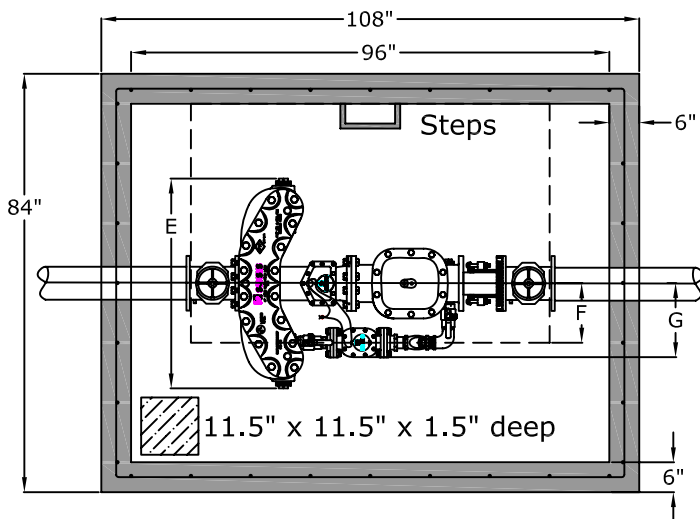


## Top View



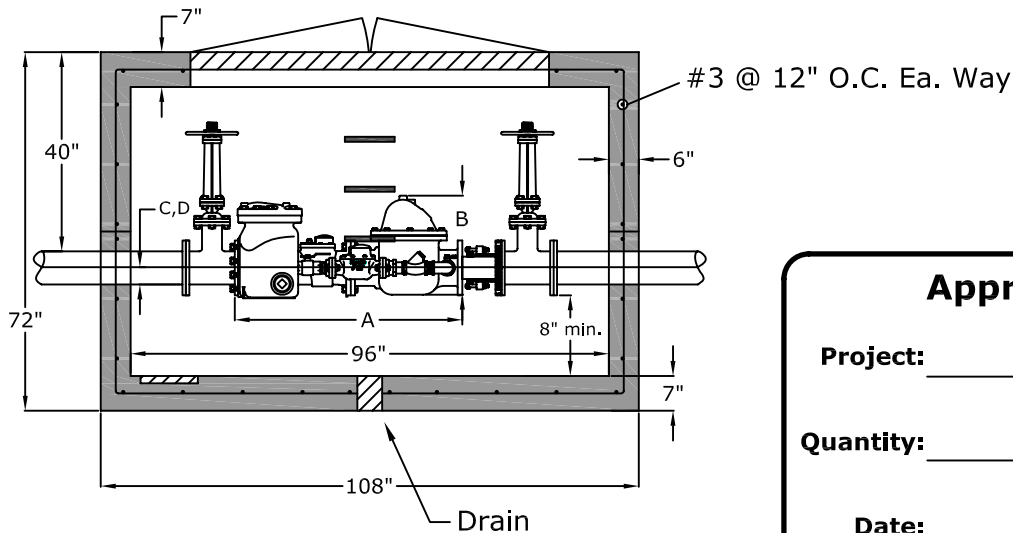
Sensus Compact FireLine Assembly with Smith-Blair 913 Flanged Coupling Adapter

## Dimensions (inches)

Size	A	B	C	D	E	F	G
4"	33	16.25	4.5	4.5	35	11.75	14.25
6"	45	23.75	5.75	5.75	40.44	11.34	14.25
8"	53	24	6.75	6.75	45.5	13.65	17
10"	68	28.13	8.5	8.5	50	18.18	18.74

## Side View

48" x 72" Bilco PDCM-3 Aluminum Hatch



## Approved for Production

Project: \_\_\_\_\_

Quantity: \_\_\_\_\_

Date: \_\_\_\_\_

By: \_\_\_\_\_



C.R. Barger & Sons, Inc.  
P.O. Box 370 - Kingston TN 37763  
Phone 888.882.5860 - BargerAndSons.com

## Specifications

**Concrete:** 5,000 psi minimum strength (28 day)

**Reinforcing:** Primary reinforcement will be a #3 rebar (Grade 60) rebar.

**Pipe Penetrations:** The inlet and outlet are fitted with solid seals that meet or exceed ASTM C923 (4" D.I.P. - 10" D.I.P.). All pipe penetrations are placed according to job requirements.

**Pipe Stands:** Adjustable height pipe stands will be provided to support assembly.

**Sealant:** Sealant used will meet or exceed ASTM C990.

**Steps:** Aligned under hatch unless specified.

## 8' x 6' Fire Meter Box

## City of Brentwood Water Services Detail

Date: 8.202008

Drawn By: Eric Barger

Approx. Vault Weight: 18,000 lbs.