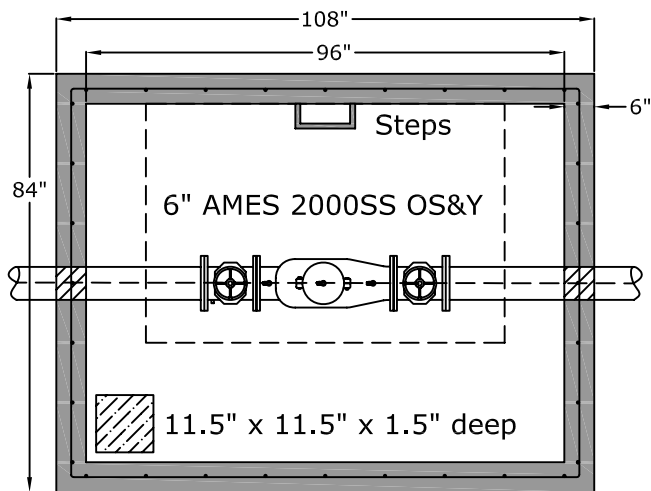
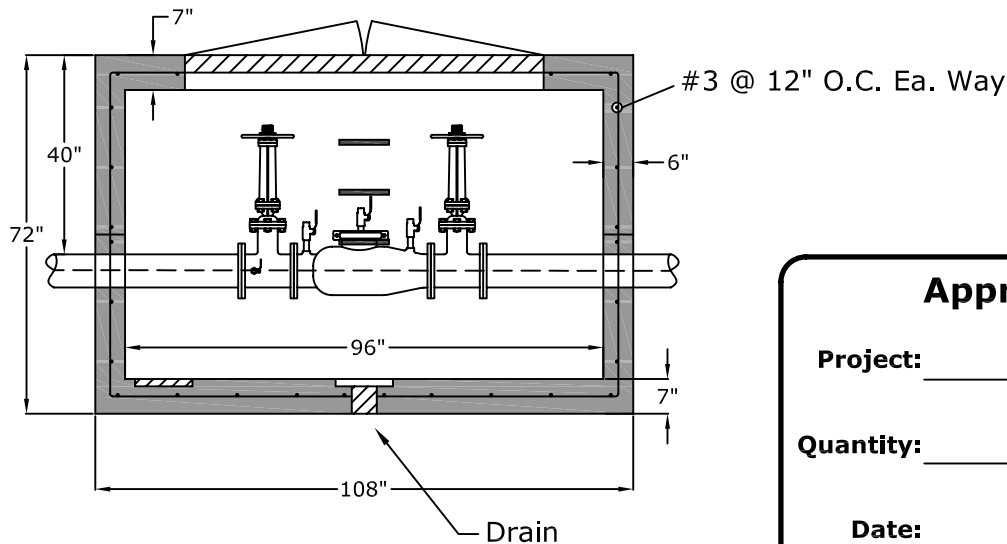


Top View



Side View

48" x 72" Bilco PDCM-3 Aluminum Hatch



Approved for Production

Project: _____

Quantity: _____

Date: _____

By: _____



C.R. Barger & Sons, Inc.
P.O. Box 370 - Kingston TN 37763
Phone 888.882.5860 - BargerAndSons.com

Specifications

Concrete: 5,000 psi minimum strength (28 day)

Reinforcing: Primary reinforcement will be a #3 rebar (Grade 60) rebar.

Pipe Penetrations: The inlet and outlet are fitted with solid seals that meet or exceed ASTM C923 (4" D.I.P. - 10" D.I.P.). All pipe penetrations are placed according to job requirements.

Pipe Stands: Adjustable height pipe stands will be provided to support assembly.

Sealant: Sealant used will meet or exceed ASTM C990.

Steps: Aligned under hatch unless specified.

8' x 6' Fire Service Backflow Preventer City of Brentwood Water Services Detail

Date: 8.142008

Drawn By: Eric Barger

Approx. Vault Weight: 18,000 lbs.