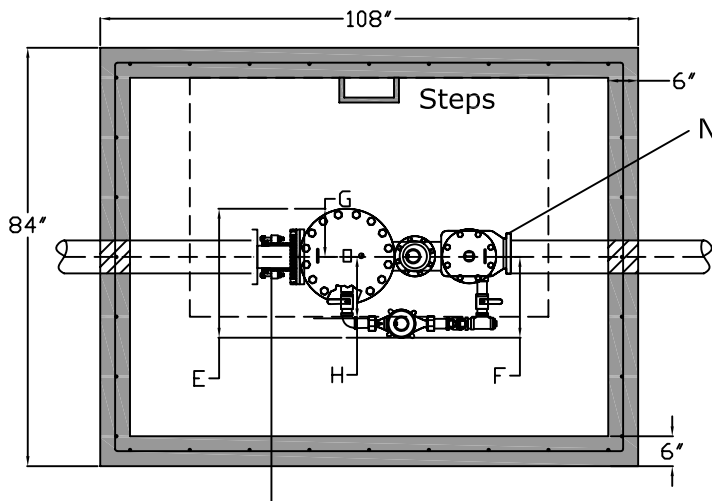


## Top View



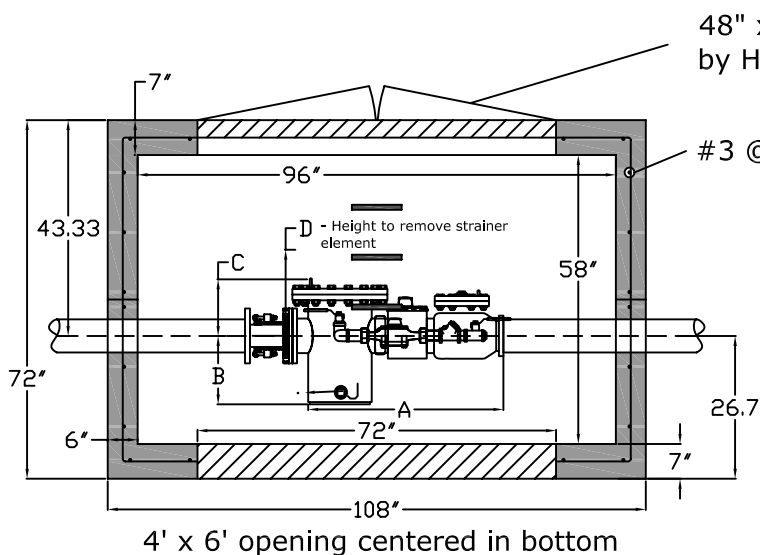
Smith-Blair 913 Flanged Coupling Adapter

## Dimensions (inches)

Size	A	B	C	D	E	F	G
4"	33	10	10.75	17.5	22	15.25	6.75
6"	45	11 $\frac{1}{16}$	11 $\frac{3}{8}$	21.25	29	19.5	9.5
8"	53	11 $\frac{13}{16}$	13 $\frac{29}{64}$	25 $\frac{7}{8}$	34.25	21.75	12.5
10"	68	14 $\frac{13}{16}$	15	30 $\frac{1}{16}$	36.25	13.75	18

Size	H	I	J	Wt.
4"	12	2	2	215
6"	16	2	3	570
8"	17	3	3	765
10"	18	3	3	900

## Side View



48" x 72" door H2W7248  
by Halliday Products

#3 @ 12" O.C. Ea. Way

4' x 6' opening centered in bottom

## Approved for Production

Project: \_\_\_\_\_

Quantity: \_\_\_\_\_

Date: \_\_\_\_\_

By: \_\_\_\_\_



## Specifications

**Concrete:** 5,000 psi minimum strength (28 day)

**Reinforcing:** Primary reinforcement will be a #3 rebar (Grade 60) rebar.

**Pipe Penetrations:** The inlet and outlet are fitted with solid seals that meet or exceed ASTM C923 (4" D.I.P. - 10" D.I.P.). All pipe penetrations are placed according to job requirements.

**Pipe Stands:** Adjustable height pipe stands will be provided to support assembly.

**Sealant:** Sealant used will meet or exceed ASTM C990.

**Steps:** Aligned under hatch unless specified.

Protecting the Environment  
**BargerAndSons.com**  
one tank at a time since 1967.

C.R. Barger & Sons, Inc.  
P.O. Box 370 - Kingston TN 37763  
Phone 888.882.5860 - BargerAndSons.com

## 8' x 6' Fire Protection Meter Vault City of Clarksville Standard (Non-Traffic)

Date: 8.272008

Drawn By: Eric Barger

Approx. Weight: 18,000 lbs.