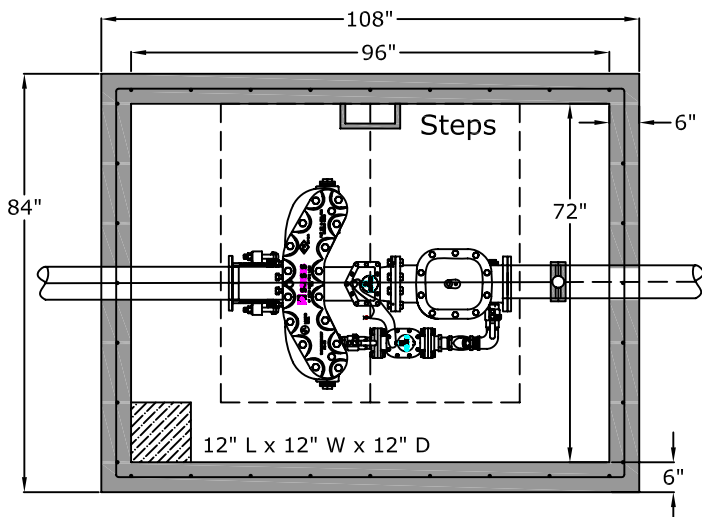


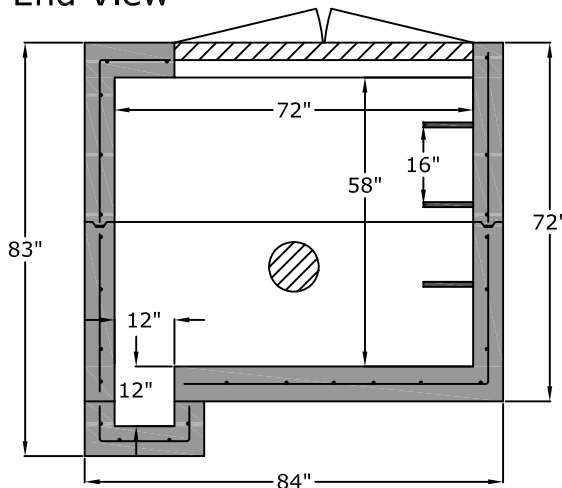
Top View



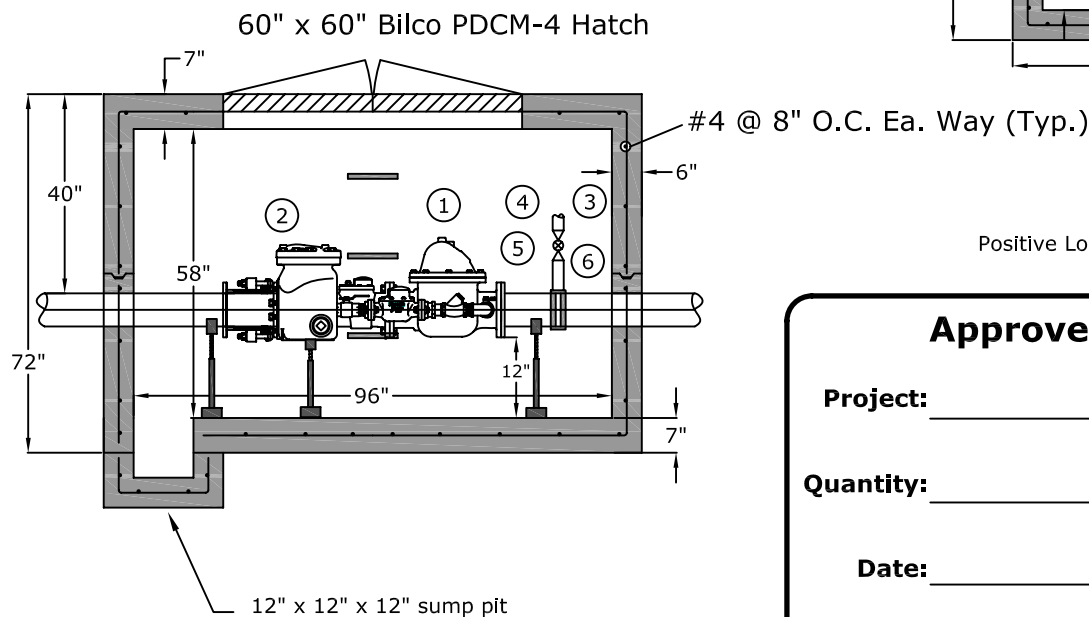
Sensus Compact FireLine Meter Assembly with Smith-Blair 913 Flanged Coupling Adapter Meter Supplied by H.V.U.D. at developers expense

1. Sensus fireline meter
2. Smith-Blair 913 flanged coupling adapter
3. 2" double strap saddle
4. 2" bronze nipple
5. 2" ball valve with plug
6. 2" tap is to be made a minimum of 2 pipe diameters downstream of meter.
7. Precast concrete vault supplied by H.D. Suppy and manufactured by C.R. Barger & Sons, Inc.

End View

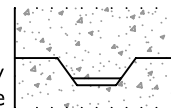


Side View



Joint Detail

Positive Lock Male/Female Keyway
+- 0.005" tolerance



Approved for Production

Project: _____

Quantity: _____

Date: _____

By: _____



Specifications

Concrete: 5,000 psi minimum strength (28 day)

Pipe Penetrations: The inlet and outlet are fitted with solid rubber seals that meet or exceed ASTM C923 (4" D.I.P. - 10" D.I.P.) when requested. All pipe penetrations are placed according to job requirements.

Pipe Stands: Adjustable height pipe stands will be provided to support assembly.

Sealant: Sealant used will meet or exceed ASTM C990.

Steps: Aligned under hatch unless specified.



C.R. Barger & Sons, Inc.
P.O. Box 370 - Kingston TN 37763
Phone 888.882.5860 - BargerAndSons.com

8' x 6' Fire Meter Box Harpeth Valley Utility District

Date: 11.212008

Drawn By: Eric Barger

Approx. Vault Weight: 18,000 lbs.