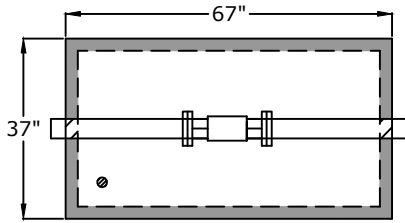


Top View



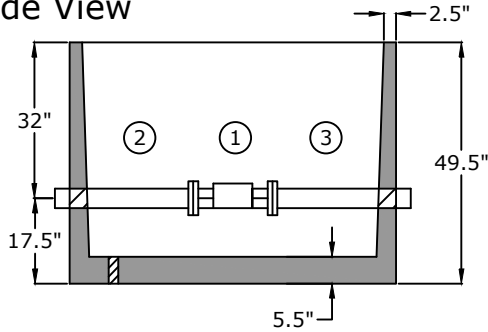
- 1. 3" Sensus Omni C2 10 USG with Itron.  
ERW-1300-403 (1)  
LDS-0002-002 (1)  
CFG-0900-003 (1)

2. 3" Flg x PE 6'-0"

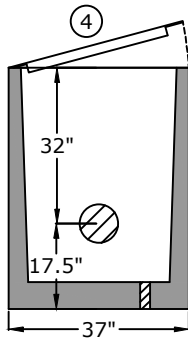
3. 3" Flg x PE 6'-0"

4. Halliday S1R029059CD 29" x 59" Aluminum Hatch

Side View



End View



Approved for Production

Project: \_\_\_\_\_

Date: \_\_\_\_\_

Quantity: \_\_\_\_\_

By: \_\_\_\_\_

**BARGER**  
**PRECAST**

**FORTILINE**  
WATERWORKS  
a MORSCO company

C.R. Barger & Sons, Inc.  
P.O. Box 370 - Kingston TN 37763  
Phone 888.882.5860 - BargerAndSons.com

Specifications

**Concrete:** 5,000 psi minimum strength (28 day)  
**Pipe Penetrations:** All pipe penetrations are placed according to job requirements.  
**Pipe Stands:** N/A  
**Sealant:** N/A  
**Steps:** N/A

**3" MWSD Domestic Meter Assembly w/No Bypass  
MWSD**

Date: 7.072017

Drawn By: Eric Barger

Approx. Empty Vault Weight: 3,100 lbs.