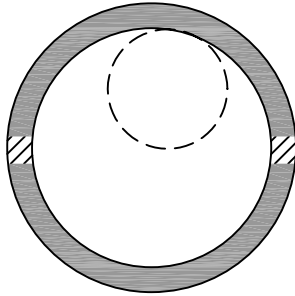
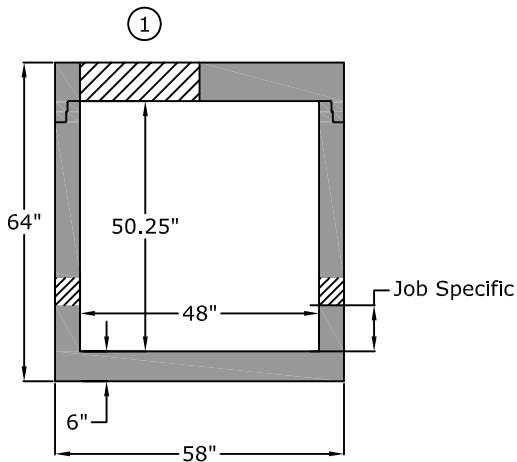


Top View



1. Manhole frame and cover for H-20 traffic rated form, or square aluminum door sized to fit top for pedestrian loads

Side View



**Approved for Production**

**Project:** \_\_\_\_\_

**Quantity:** \_\_\_\_\_

**Date:** \_\_\_\_\_

**By:** \_\_\_\_\_



C.R. Barger & Sons, Inc.  
 P.O. Box 370 - Kingston TN 37763  
 Phone 888.882.5860 - BargerAndSons.com

**Specifications**

**Concrete:** 5,000 psi minimum strength (28 day)  
**Pipe Penetrations:** The inlet and outlet are fitted with solid rubber seals that meet or exceed ASTM C923 (4" D.I.P. - 10" D.I.P.) when requested. All pipe penetrations are placed according to job requirements.  
**Pipe Stands:** Adjustable height pipe stands will be provided to support assembly.  
**Sealant:** Sealant used will meet or exceed ASTM C990.  
**Steps:** Aligned under hatch unless specified.

**48" i.d. x 64" tall Meter Box  
 H-20 or Pedestrian rated vaults available**

Date: 2.172009	Drawn By: Eric Barger	Approx. Vault Weight: 4,000 lbs.
----------------	-----------------------	----------------------------------