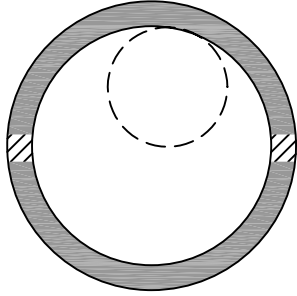
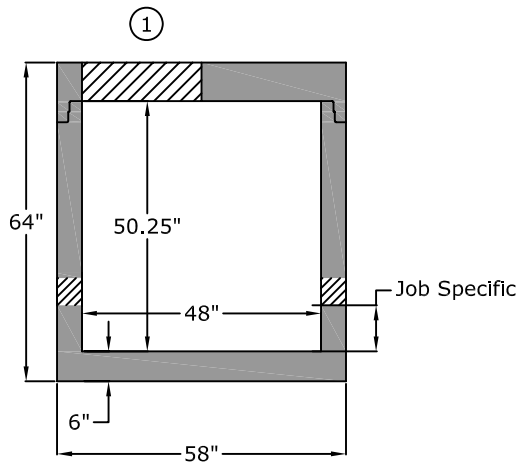


Top View



1. Manhole frame and cover for H-20 traffic rated form, or square aluminum door sized to fit top for pedestrian loads

Side View



Approved for Production

Project: _____

Quantity: _____

Date: _____

By: _____



C.R. Barger & Sons, Inc.
P.O. Box 370 - Kingston TN 37763
Phone 865.270.8080 - BargerAndSons.com

Specifications

Concrete: 5,000 psi minimum strength (28 day)
Reinforcing: Primary reinforcement will be a #3 rebar (Grade 60) rebar.
Pipe Penetrations: All pipe penetrations are placed according to job requirements.
Pipe Stands: Adjustable height pipe stands will be provided to support assembly.
Sealant: Sealant used will meet or exceed ASTM C990.
Steps: Aligned under hatch unless specified.
General: Meter vaults are not water tight structures.

48" i.d. x 64" tall Meter Box H-20 or Pedestrian rated vaults available

Date: 2.172009

Drawn By: Eric Barger

Approx. Vault Weight: 4,000 lbs.