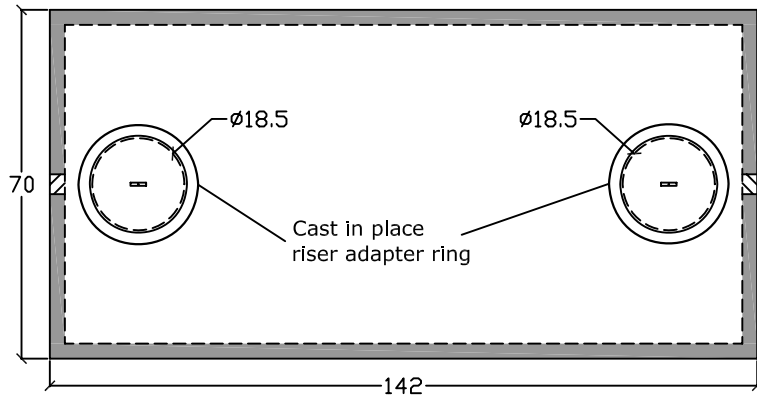
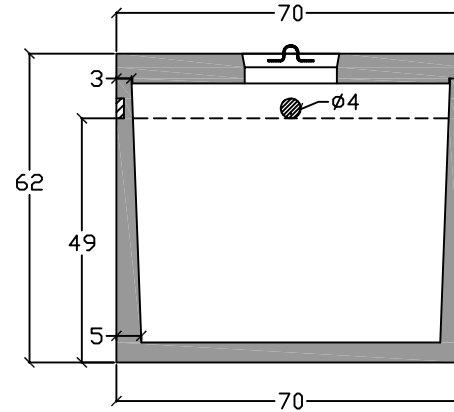


Top View



End View



**Specifications**

**Concrete:** 5,000 psi minimum strength (28 day)

**Reinforcing:** Primary reinforcement will be top, side, and bottom #3 and/or #4 rebar (Grade 60) rebar.

**Risers:** All risers, if required, will be watertight and at least 8" in diameter.

**Sealant:** Sealant used in the seam of the tank will meet or exceed ASTM C990.

**Pipe Penetrations:** Inlet and outlets are fitted with seals that meet or exceed all ASTM C923 specifications.

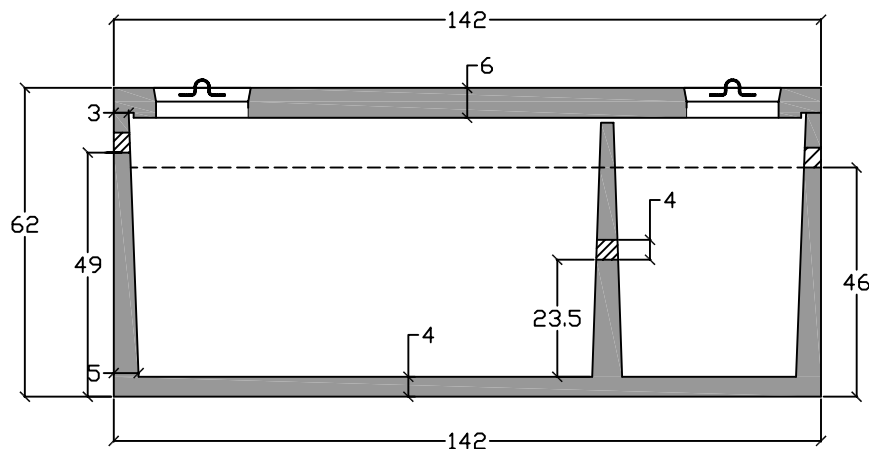
**Partition Wall:** The partition wall, if present, is poured monolithically.

**Installation:** The tank hole is not to be more than one foot longer and wider than the tank. There shall be a minimum of 6" of  $\frac{3}{4}$ " stone bedding in soil terrain and a 12" stone bedding in rock terrain. Do not install across path of vehicles or heavy equipment. This tank is designed for one hundred fifty pounds per square foot (150 lb/ft<sup>2</sup>) uniform loading on the top of the tank with a maximum backfill cover of 36" and a minimum of 6".

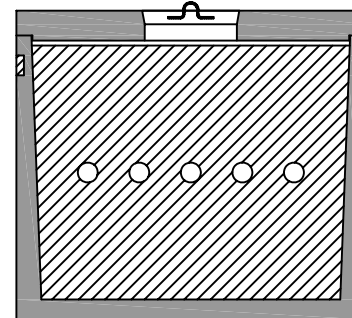
**Tank Warranty:** The C. R. Barger & Sons, Inc. septic tank when installed in accordance with manufacturer's instructions is warranted against defective materials and/or workmanship for 1 year from the date of delivery to the project site. Should a defect appear within the warranty period, C. R. Barger & Sons, Inc. will supply a new septic tank in replacement thereof. C. R. Barger & Sons, Inc. liability is limited to the value of the septic tank itself and specifically excludes the cost of installation and/or removal and consequential damages. Failure to comply with C. R. Barger & Sons, Inc. installation procedures and general notes will void warranty.



Side View



Baffle View



Manufactured by:  
**C.R. Barger & Sons, Inc.**  
 123 Pawnook Farm Road  
 Lenoir City TN 37771  
 Phone 865.270-8080 Fax 865.270.8079  
 www.BargerAndSons.com

General Notes:  
 All vertical measurements are accurate within ± 1 inch on the tank. The lids can be moved and resized if necessary. Written specifications are available upon request.

Tank Type:	<b>Sunset Bay RT Pump Tank 1500 Gallon</b>	
Date:	<b>6.142010</b>	Approx. Weight: <b>16,000 lbs.</b>
Drawn By:	<b>Eric Barger</b>	