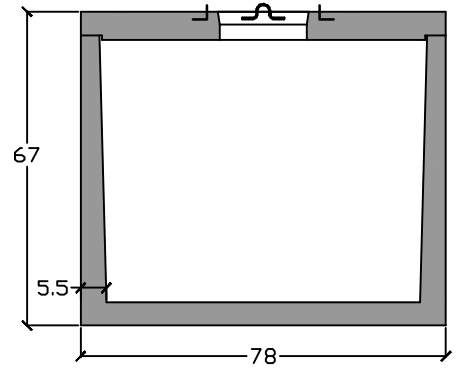
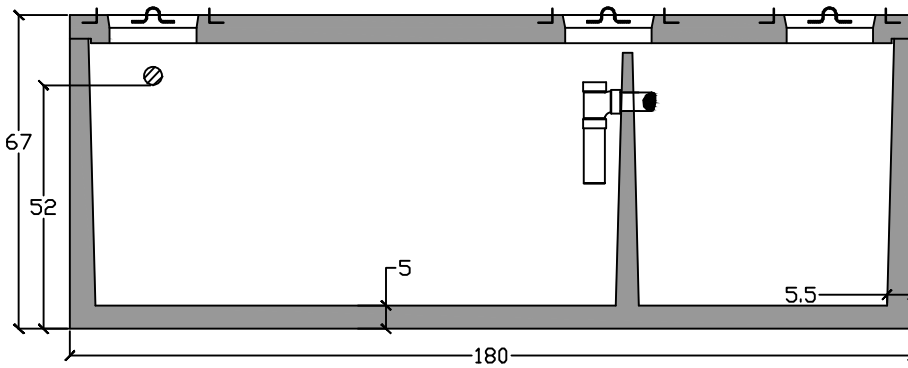


Top View



End View

- 4" inlet/outlet (standard)
- 2/3 - 1/3 compartment capacity



Side View

Approved for Production

Project: _____ Date: _____

Quantity: _____ By: _____

Specifications

Concrete: 5,000 psi minimum strength (28 day)
Reinforcing: Primary reinforcement will be rebar.
Riser Adapter Ring: Cast in place.
Sealant: Sealant used in the seam of the tank will meet or exceed ASTM C990.
Pipe Penetrations: Inlet and outlets are fitted with seals that meet or exceed all ASTM C923 specifications.
Partition Wall: The partition wall, if present, is poured monolithically.
Watertight: ASTM C 1227 latest revision. Tank must be tested within 3 working days of delivery.
Drawing: All measurements are accurate within ± 1 inch.
Warranty: See Terms and Conditions.



C.R. Barger & Sons, Inc.
 P.O. Box 370 - Kingston TN 37763
 Phone 888.882.5860 - BargerAndSons.com

Installation: The tank hole is not to be more than 18 in. longer and wider than the tank. There shall be a minimum of 6" of 3/4" stone bedding. Do not install across path of vehicles or heavy equipment. This tank is designed for one hundred fifty pounds per square foot (150 lb/ft²) uniform loading on the top of the tank with a max backfill cover of 36" and a minimum of 6".

**Watts Bar Utility District 2100
 Right Hand Inlet Configuration**

Date: 3.252013

Drawn By: Eric Barger

Approx. Weight: 27,000 lbs.