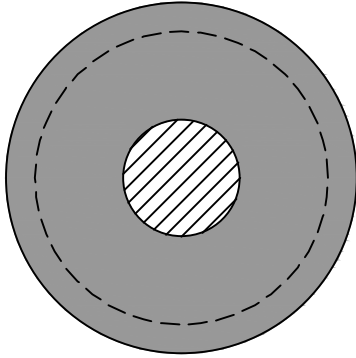
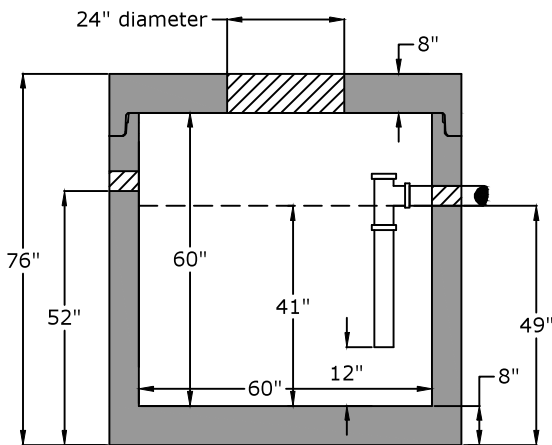


Top View



Side View

4" Inlet / Outlet Standard



Total Weight - 11,568 lb.
Buoyancy Check - Ok with 1.41 safety factor



Approved for Production

Project: _____

Date: _____

Quantity: _____

By: _____

Specifications

- Concrete:** 5,000 psi minimum 28 day compressive strength
- Reinforcing:** Per ASTM C478 with design calculations performed by a Licensed P.E. Minimum 2" cover of all reinforcing steel.
- Pipe Penetrations:** All pipe penetrations are placed according to job requirements.
- Pipe Seals:** All pipe boots will meet ASTM C 923.
- Sealant:** Sealant used will meet ASTM C 990.



C.R. Barger & Sons, Inc.
P.O. Box 370 - Kingston TN 37763
Phone 888.882.5860 - BargerAndSons.com

**500 Gallon Solids Interceptor - 60" I.D.
ASTM C 478**

Date: 4.172014

Drawn By: Eric Barger

Approx. weight: See chart