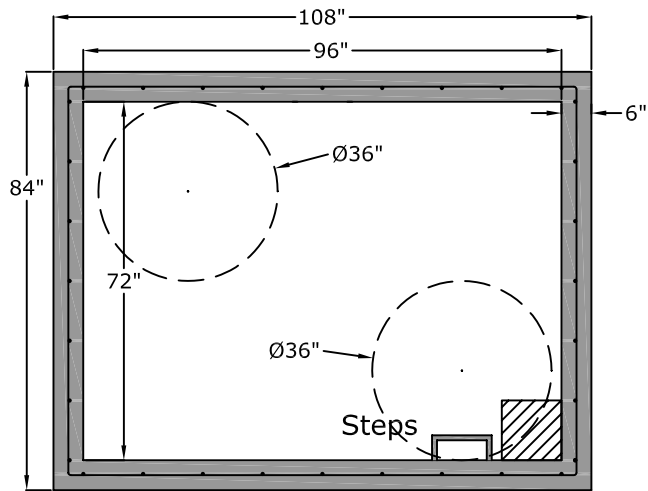
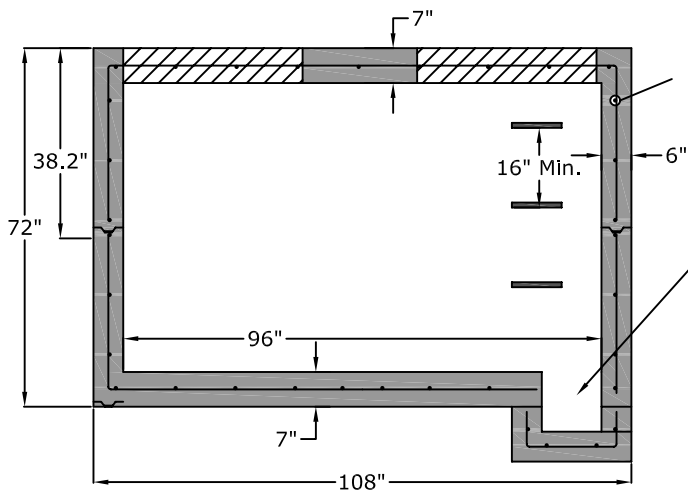


Top View



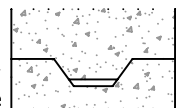
Side View



Per engineered reinforcing schedule
P.E. designed and stamped

12" x 12" x 12" Well
Positive Lock Male/Female Keyway
+/- 0.005" tolerance

Joint Detail



Approved for Production

Project: _____

Quantity: _____

Date: _____

By: _____



C.R. Barger & Sons, Inc.
P.O. Box 370 - Kingston TN 37763
Phone 888.882.5860 - BargerAndSons.com

Specifications

- Concrete:** 5,000 psi minimum strength (28 day)
- Reinforcing:** Primary reinforcement will be a #4 and #5 (Grade 60) rebar.
- Pipe Penetrations:** The inlet and outlet are fitted with solid seals that meet or exceed ASTM C923 (4" D.I.P. - 10" D.I.P.). All pipe penetrations are placed according to job requirements.
- Pipe Stands:** Adjustable height pipe stands can be provided to support assembly.
- Sealant:** Sealant used will meet or exceed ASTM C990.
- Steps:** Aligned under hatch unless specified.

8' x 6' Steam Vault HS-20 Traffic Rated

Date: 3.262009

Drawn By: Eric Barger

Approx. Vault Weight: 18,000 lbs.