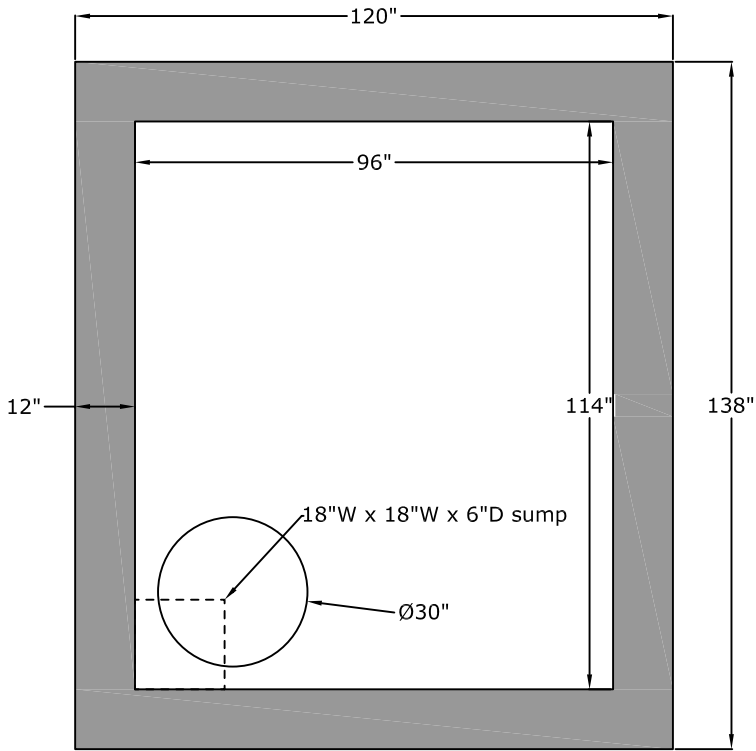


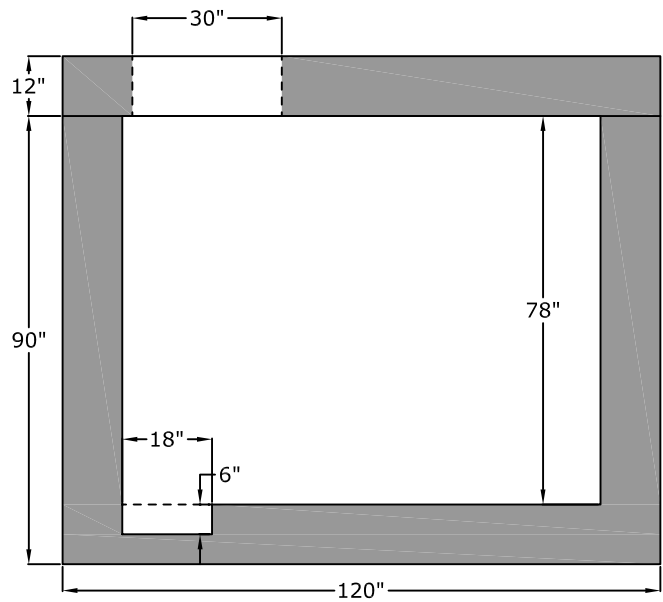
Top View



**Weight**

**Lid:** 17,000 lb

**Body:** 55,000



**Approved for Production**

**Project:** \_\_\_\_\_

**Date:** \_\_\_\_\_

**Quantity:** \_\_\_\_\_

**By:** \_\_\_\_\_



**C.R. Barger & Sons, Inc.**  
 P.O. Box 370 - Kingston TN 37763  
 Phone 888.882.5860 - BargerAndSons.com

**Specifications**

**Concrete:** 5,000 psi minimum strength (28 day)  
**Reinforcement:** Per ASTM C1433 / Cooper E-80 with impact as per A.R.E.M.A.  
**General:** Steam vault.

**Steam Vault**  
**8' W x 9.5' L x 6.5' T**

Date: 3.042010

Drawn By: Eric Barger

Approx. Vault Weight: 72,000 lb.