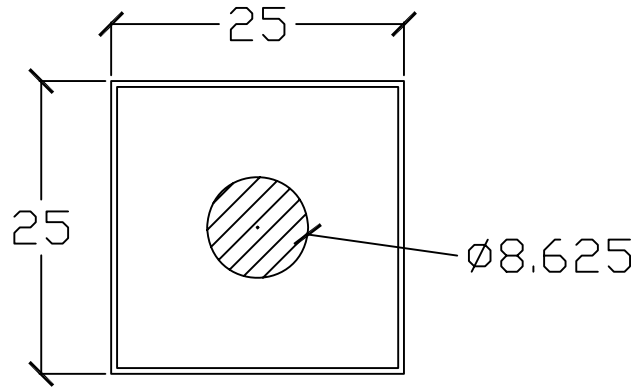
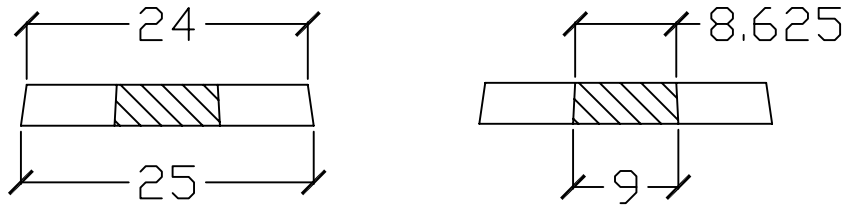


Top View



Side View



Specifications

Concrete: 5,000 psi minimum strength (28 day)

Reinforcing: Primary reinforcement will be 10 gauge wire.

Manufactured by:
C.R. Barger & Sons, Inc.
238 Mays Valley Road
Harriman Tn 37748
Phone 865.882.5860 **Fax** 865.882.6394
www.bargerandsons.com

General Notes:

Tank Type: **Valve Box Collar**

Date: **2.102006**

Approx. Weight: **107 lb.**

Drawn By: **Eric Barger**

Build: