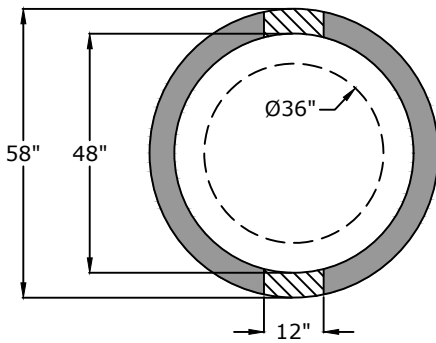
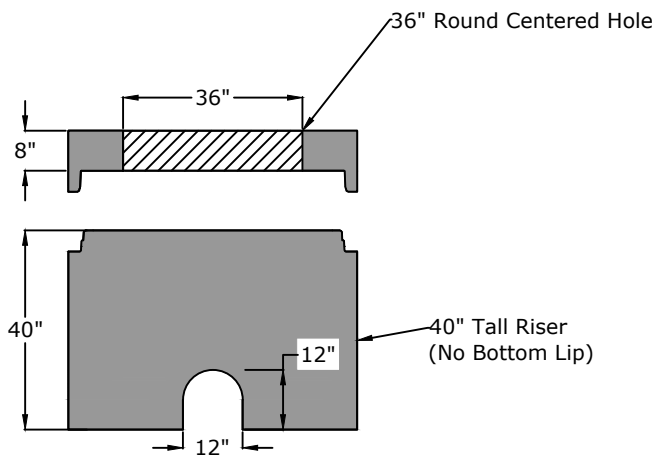


Top View



Side View



Approved for Production

Project: _____

Date: _____

Quantity: _____

By: _____

**BARGER
PRECAST**

Specifications

- Concrete:** 4,500 psi minimum 28 day compressive strength
- Reinforcing:** Per ASTM C478 with design calculations performed by a Licensed P.E. Minimum 2" cover of all reinforcing steel.
- Pipe Penetrations:** All pipe penetrations are placed according to job requirements.
- Sealant:** Sealant used will meet ASTM C 990.

**48" I.D. Precast Concrete ARV
First Utility District**

C.R. Barger & Sons, Inc.
P.O. Box 370 - Kingston TN 37763
Phone 888.882.5860 - BargerAndSons.com

Date: 01.072020

Drawn By: D. Lemasters

Approx. Structure Weight: 4,350 lbs.