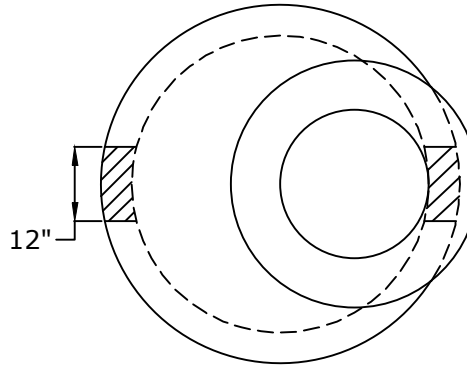
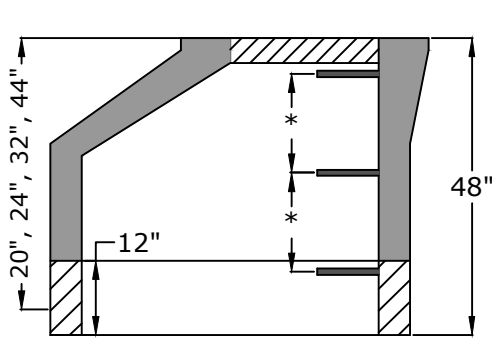


Eccentric Cone



Eccentric Cone

- 20" - 1,700 lb.
- 24" - 2,000 lb.
- 32" - 2,600 lb.
- 44" - 3,450 lb.

Approved for Production

Project: _____

Date: _____

Quantity: _____

By: _____

BARGER
PRECAST

Specifications

- Concrete:** 4,500 psi minimum 28 day compressive strength
- Reinforcing:** Per ASTM C478 with design calculations performed by a Licensed P.E. Minimum 2" cover of all reinforcing steel.
- Pipe Penetrations:** All pipe penetrations are placed according to job requirements.
- Pipe Seals:** All pipe boots will meet ASTM C990.
- Sealant:** Sealant used will meet ASTM C923.
- Steps:** On 16" centers unless otherwise specified.
- Preformed Invert:** As required by plans or governing specifications.

**48" I.D. precast concrete Air Release Cone
Straight Through Doghouse**

C.R. Barger & Sons, Inc.
P.O. Box 370 - Kingston TN 37763
Phone 888.882.5860 - BargerAndSons.com

Date: 10.29.2012

Drawn By: Eric Barger