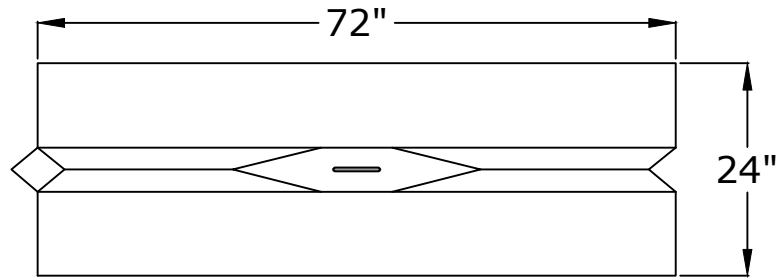
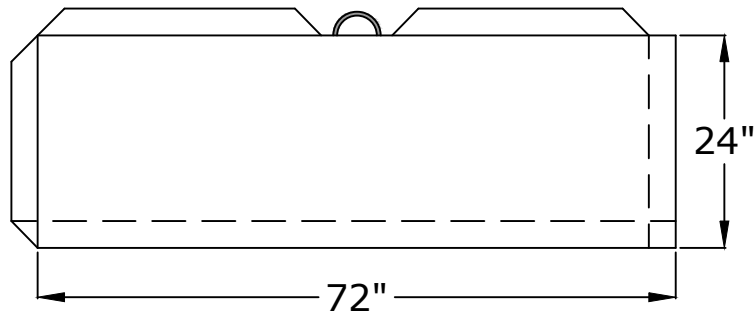


Top View



Side View



Approved for Production

Project: _____

Date: _____

Quantity: _____

By: _____

BARGER
PRECAST

Specifications

Concrete: 5,000 psi minimum 28 day compressive strength

Barger Bin Block
6' L x 2' W x 2' T

C.R. Barger & Sons, Inc.
P.O. Box 370 - Kingston TN 37763
Phone 888.882.5860 - BargerAndSons.com

Date: 8.032021

Drawn By: Eric Barger

Approx. Weight: 3,432 lb