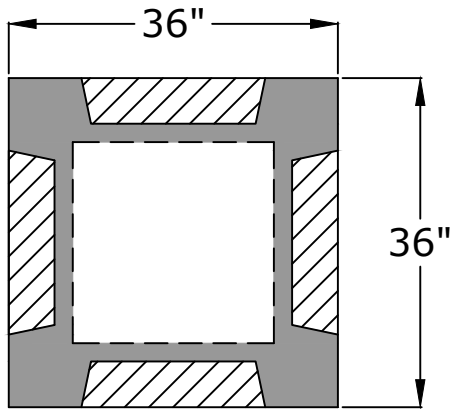


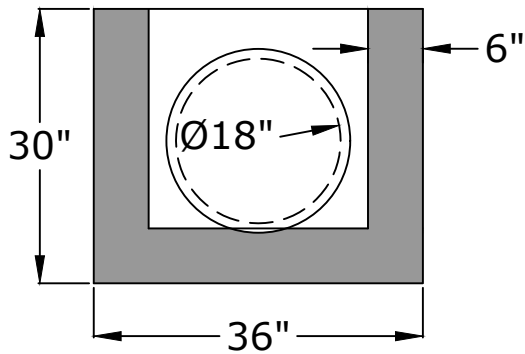
Top View



Notes

Weight - 1,650 lb

Side View



Approved for Production

Project: _____

Date: _____

Quantity: _____

By: _____

BARGER
PRECAST

Specifications

Concrete: 5,000 psi minimum strength (28 day)

Reinforcement: ASTM C 913 latest edition

Lifting: Lifters in floor of box.

Panels: Knock-out panel(s) shall be completely filled with non-shrink grout (4,000 psi.).

Invert: No invert

24" W x 24" W x 24" T (6" Wall)
Catch Basin Knock-Out Box

C.R. Barger & Sons, Inc.
P.O. Box 370 - Kingston TN 37763
Phone 888.882.5860 - BargerAndSons.com

Date: 8.102023

Drawn By: Eric Barger