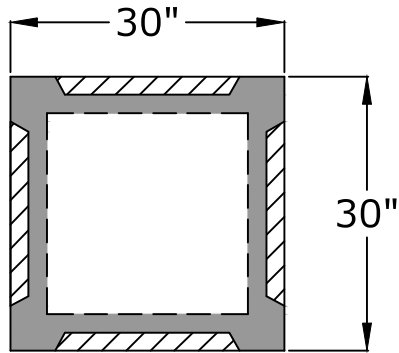
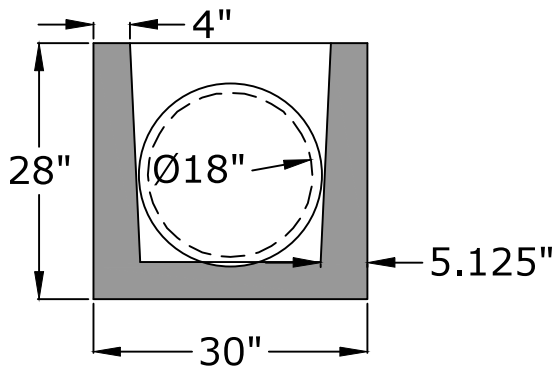


Top View



Side View



Approved for Production

Project: _____

Date: _____

Quantity: _____

By: _____

Specifications

Concrete: 5,000 psi minimum strength (28 day)

Reinforcement: ASTM C 913 latest edition

Lifting: Lifters in floor of box.

Panels: Knock-out panel(s) shall be completely filled with non-shrink grout (4,000 psi.).

Invert: No invert



C.R. Barger & Sons, Inc.
 P.O. Box 370 - Kingston TN 37763
 Phone 888.882.5860 - BargerAndSons.com

**24" W x 24" W x 24" T
 Catch Basin Knock-Out Box**

Date: 10.17.2013

Drawn By: Eric Barger

Approx. Vault Weight: 1,200 lb.