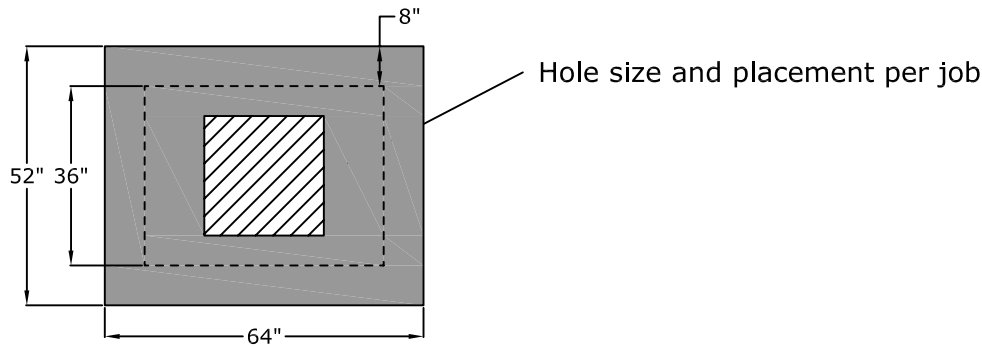


### Top View



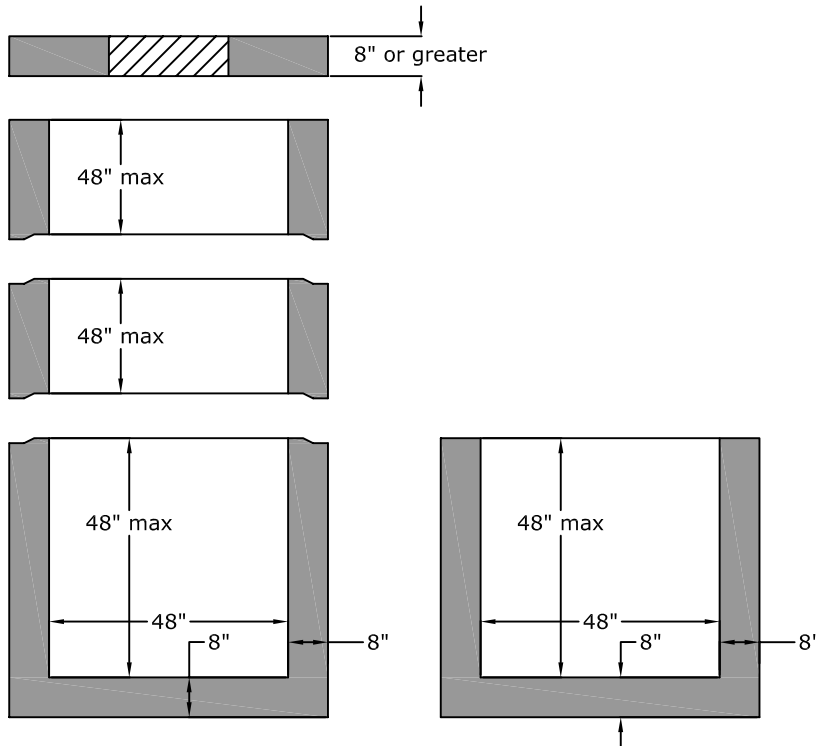
### Top Lid

Height (in.)	Weight (lb.)
8"	2,300

### Riser Weight

Height (in.)	Weight (lb.)
24"	3,300
30"	4,100
36"	5,000
42"	5,800
48"	6,600

### Side View



### Base Weight

Height (in.)	Weight (lb.)
24"	5,600
30"	6,400
36"	7,250
42"	8,050
48"	8,900

### Approved for Production

Project: \_\_\_\_\_

Date: \_\_\_\_\_

Quantity: \_\_\_\_\_

By: \_\_\_\_\_



C.R. Barger & Sons, Inc.  
P.O. Box 370 - Kingston TN 37763  
Phone 888.882.5860 - BargerAndSons.com

### Specifications

**Concrete:** 5,000 psi minimum strength (28 day)  
**Reinforcement:** ASTM C 913 Latest Edition  
**TDOT Reference:** D-CB-10S, 12P, 12S, 13P, 13S, 25S, 25P, 28P, 28S, 41P, 41S

## 36" W x 48" L Area Drain, Curb Inlet, Catch Basin & General Box

Date: 4.152010

Drawn By: Eric Barger

Approx. Vault Weight: See chart