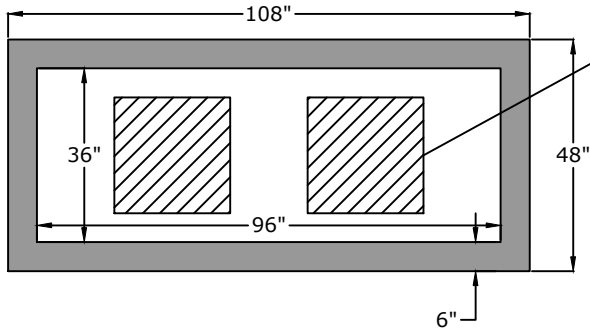


Top View



Hole size and placement can vary

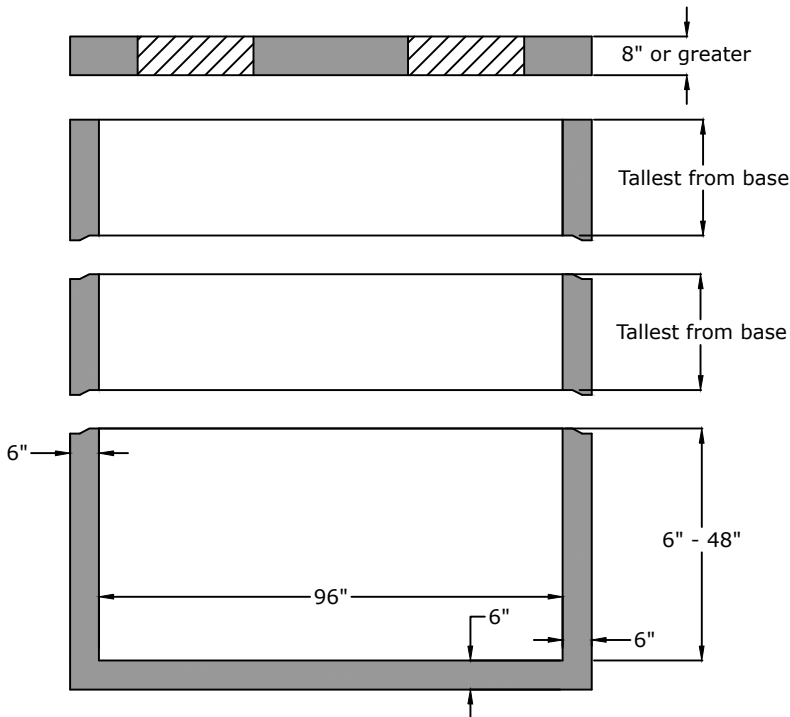
Top Lid

Height (in.)	Weight (lb.)
8"	4,000

Riser Weight

Height (in.)	Weight (lb.)
12"	1,800
18"	2,600
24"	3,500
30"	4,300
36"	5,200
42"	6,100
48"	6,900

Side View



Base Weight

Height (in.)	Weight (lb.)
20"	5,500
24"	6,100
28"	6,600
32"	7,200
36"	7,800
40"	8,300
44"	8,900
48"	9,500

Approved for Production

Project: _____ Date: _____

Quantity: _____ By: _____

BARGER
PRECAST

Specifications

Concrete: 5,000 psi minimum strength (28 day)
Reinforcement: ASTM C 913 Latest Edition
TDOT Reference: D-CB-14S

C.R. Barger & Sons, Inc.
P.O. Box 370 - Kingston TN 37763
Phone 888.882.5860 - BargerAndSons.com

36" W x 96" L
Area Drain, Curb Inlet, Catch Basin & General Box

Date: 8.102017

Drawn By: Eric Barger

Approx. Vault Weight: See chart