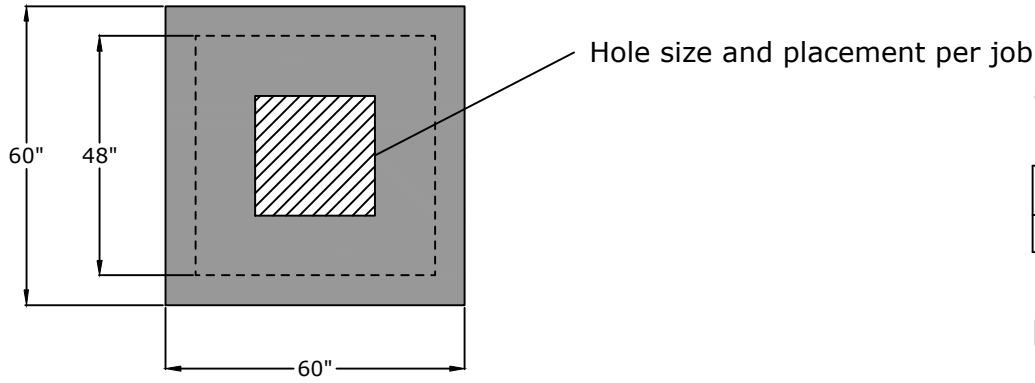


Top View



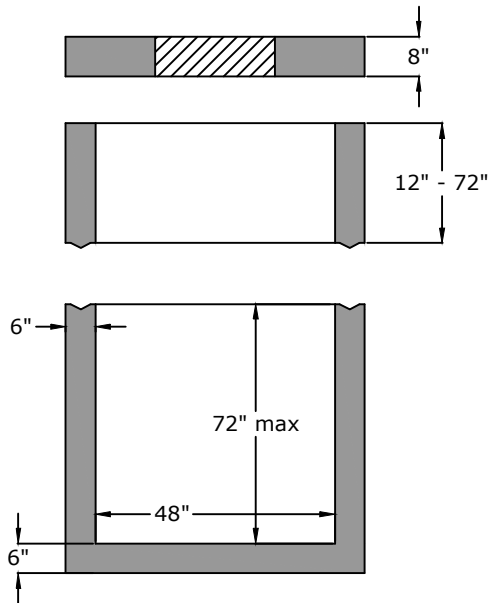
Top Lid

Height (in.)	Weight (lb.)
8"	2,400

Riser Weight

Height (in.)	Weight (lb.)
24"	2,600
36"	3,900
48"	5,200
60"	6,500
72"	7,800

Side View



Base Weight

Height (in.)	Weight (lb.)
24"	4,400
36"	5,700
48"	7,000
60"	8,300
72"	9,600

Approved for Production

Project: _____ Date: _____

Quantity: _____

By: _____

BARGER PRECAST

Specifications

Concrete: 5,000 psi minimum strength (28 day)
Reinforcement: ASTM C 913 Latest Edition

C.R. Barger & Sons, Inc.
 P.O. Box 370 - Kingston TN 37763
 Phone 888.882.5860 - BargerAndSons.com

48" W x 48" L - 6" Walls
Area Drain, Curb Inlet, Catch Basin & General Box

Date: 12.042020

Drawn By: Eric Barger